

Athena

Massimiliano Raggi



Athena è una lampada da tavolo caratterizzata da rettangoli (la base) e ovali (il paralume) che si fondono insieme. Il paralume può essere realizzato con tessuti materici, come lino e tessuto effetto marmo bianco Calacatta. La base è in rovere tinto marrone scuro con inserti di finitura nickel lucido per ribadire un senso di equilibrio. Athena si pone come un vero e proprio "passepartout".

Athena is a table lamp characterised by rectangles (the base) and ovals (the shade) that blend together. The shade can be made with highly tactile fabrics, like linen and white Calacatta marble printed fabric. The base is in dark brown stained oak with polished nickel finish inserts to reaffirm a sense of balance. Athena stands as a real "passepartout".

SPECIFICHE PRODOTTO / PRODUCT SPECIFICS

p.2

ATHENA TA

p.3

STRUTTURA / FRAME



Nickel lucido
Polished nickel



Base in rovere tinto marrone scuro
Dark brown stained oak base

PARALUME / SHADE



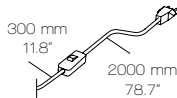
Lino bianco
White linen



Tessuto effetto marmo bianco Calacatta
White Calacatta marble printed fabric

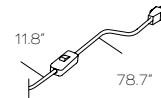
CAVO - INTERRUTTORE / CABLE - SWITCH

Tessuto nero
Interruttore On-Off
Black fabric
On-Off switch
L: 30 + 200 cm
L: 11.8" + 78.7"



USA

Black cable
On-Off switch
L: 11.8" + 78.7"



FONTE LUMINOSA / LIGHT SOURCE

220-240V



E27 LED
Utilizzabili lampadine LED fino alla massima
potenza disponibile sul mercato
*You can use LED light bulbs of the highest
available wattage*

1 X E27
Lampadina LED
LED light bulb

DIMMERABILE / DIMMABLE

Disponibile versione con dimmer per LED
su cavo compatibile solo con lampadine
LED dimmerabili

Available, on demand, dimmer switch on the
cable (to use dimmable LED light bulbs only)



 Athena TA

110V

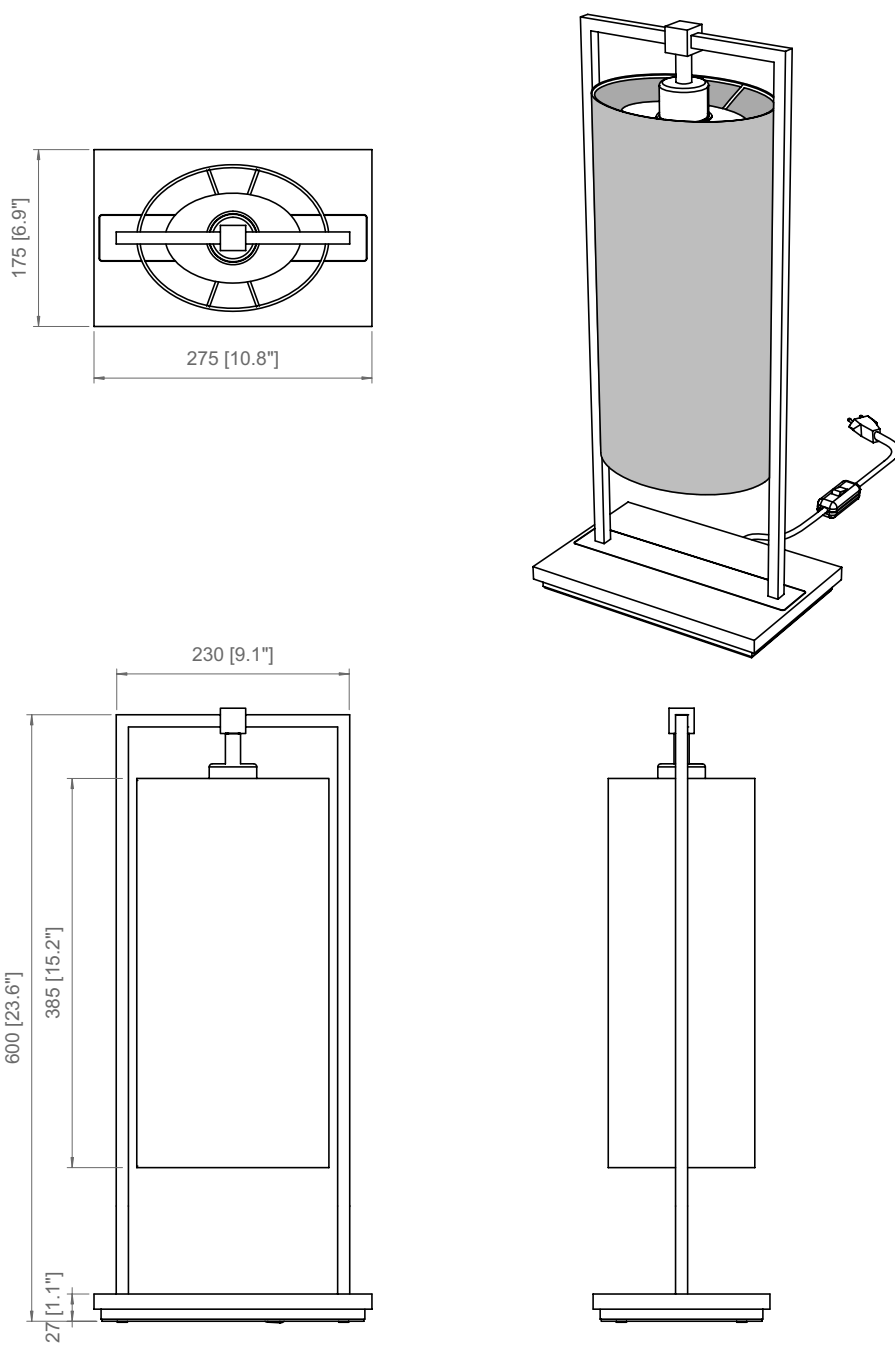


E26 LED
You can use LED light bulbs of the
highest available wattage

1 X E26
LED light bulb

DIMMABLE

Available, on demand, dimmer switch on the
cable (to use dimmable LED light bulbs only)



IMBALLI / PACKAGING

Box 1

L: 340 mm / 13.4"

P: 260 mm / 10.2"

H: 690 mm / 27.1"

Peso / weight: 3.5 kg / 8.8 lbs

Copyright and/or design rights subsist in this drawing. No part of this drawing may be reproduced in any material form (including photocopying or storing in any medium electronic means, whether or not intentionally and whether or not as part or a larger publication) without the express permission of the copyright owner, Contardi Lighting S.r.l.. Further and without prejudice to the above, this drawing and all information relating thereto is confidential, and shall not be communicated to a third party without the consent of Contardi lighting srl. Contardi lighting srl asserts all rights to be identified as the author of the work and otherwise.

WARNING: The doing of any unauthorised act in relation to a copyright work may result in both a civil claim for damages and criminal prosecution.

CONTARDI LIGHTING Srl

ITALY HEADQUARTERS

www.contardi-italia.com / sales@contardi-italia.it

CONTARDI USA Inc

USA BRANCH

www.contardi-usa.com / sales@contardi-usa.com

