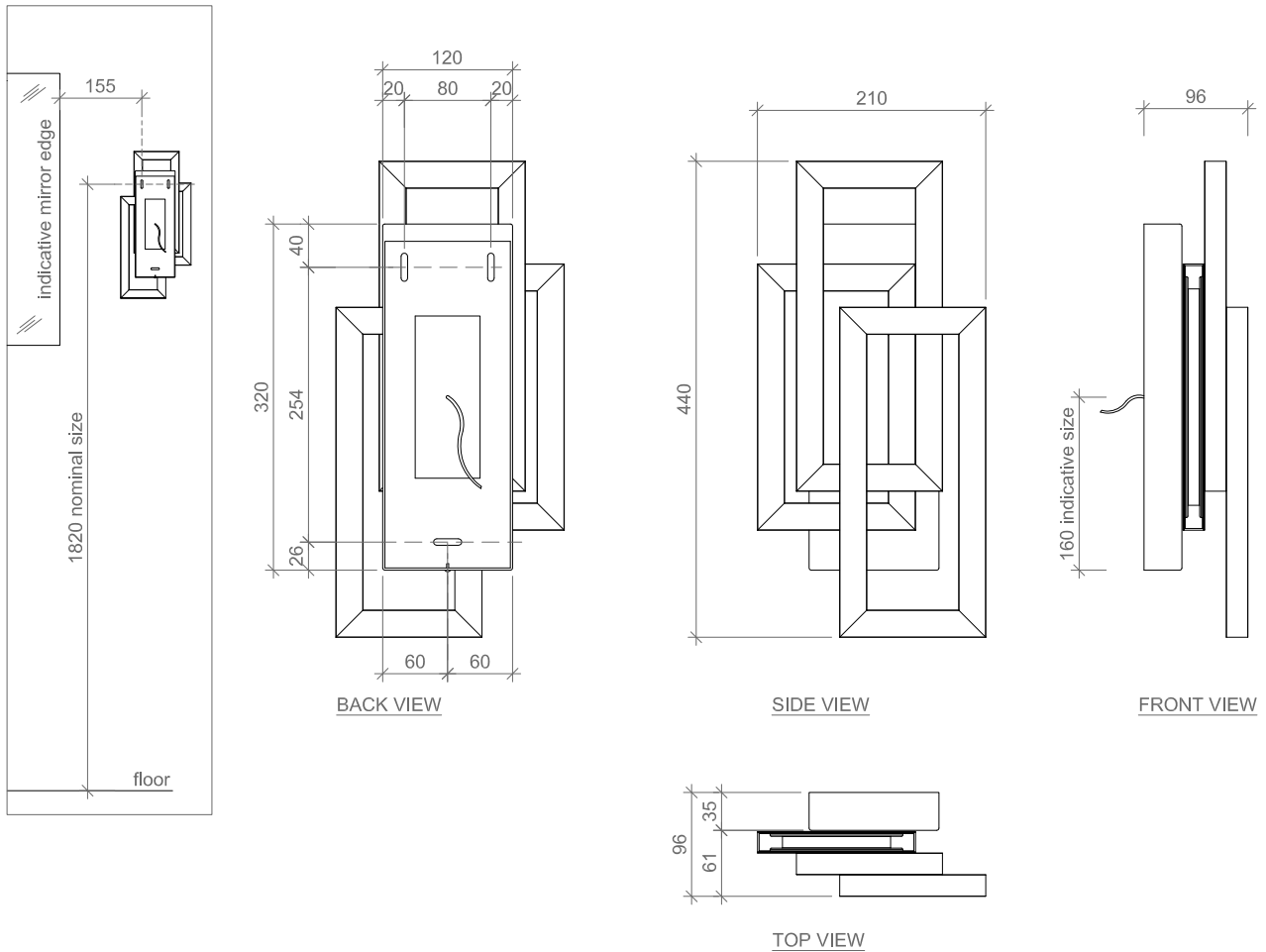




Model: EDGE PIANA small applique
Code: 5HLEDA013
Width: 210
Height: 440
Depth: 96
Weight: 3,5Kg / 7,7 lb
Description: Rectangular metal wall plate in light gold finish. Three rectangular elements in aluminium in light gold, dark gold and walnut finish.

Light: Integrated LED lighting: 80-260Vac - 40W
 2700K - 2268 lm - IP44 - CE
 Dimmable LED system

Technical drawing



Email:
 info@oasisgroup.it
 Phone number:
 0434/654752

REVISION			
24.04.18	Rev.1 nuovo layout		Uff. Tecnico
Description	TECHNICAL SHEET	Collection	EDGE PIANA
		Draftsman	Uff. Tecnico
		Item ref	5HLEDA013
		Date	12.12.17
		Scale	1:5