

Kubric

Massimiliano Raggi



Sospensione realizzata in vetro soffiato a forma di sfera tagliata alla base, all'interno plissettata (grazie al doppio stampo) e dorata. Kubric è disponibile nella versione con rosone oppure senza, per adattarsi a composizioni speciali "su richiesta", che vengono realizzate di volta in volta, senza grandi limiti di dimensioni e numero (richiedi la relativa guida per le composizioni speciali). La sorgente luminosa è un COB-LED 5W, a tensione di rete per le versioni a 230V.

Suspension lamp made of blown glass in the shape of a sphere which is cut at the base, yet pleated inside (thanks to a double mold). Kubric is available in the version with canopy but also with special attachment for the false ceiling. Kubric adapts to special "on request" compositions, which are made from time to time, without big limits in terms of size and number (please request the relative guide for special compositions). The light source is a 5W COB-LED, with mains voltage for the 230V versions.

SPECIFICHE PRODOTTO / PRODUCT SPECIFICS

p.2

KUBRIC SO SINGLE CANOPY

p.3

KUBRIC SO SINGLE DIFFUSER+CABLE

p.4

ATTACCO PER CONTROSOFFITTO / CONNECTION FOR FALSE CEILING

p.5

STRUTTURA / FRAME



Bronzo spazzolato chiaro opaco
Matt light satin bronze



STRUTTURA KUBRIC CLUSTER
KUBRIC CLUSTER FRAME

Laccato bianco opaco
Matt white lacquered

DIFFUSORE / DIFFUSER



Vetro bronzo lucido
con interno oro
*Polished bronze glass
with gold painted inside*

CAVO / CABLE

Tessuto color sabbia

Sand colour fabric

SO

H: 2000 mm

H: 78.7"

FONTE LUMINOSA / LIGHT SOURCE

220-240V



Custom LED

1 X 5W

Custom LED

550 Lm nominali/nominal

2.700 °K; CRI: >90

DIMMERABILE / DIMMABLE

Compatibili con sistemi di controllo
remoto

Compatible with remote control systems



110V



Custom LED

1 X 5W

Custom LED

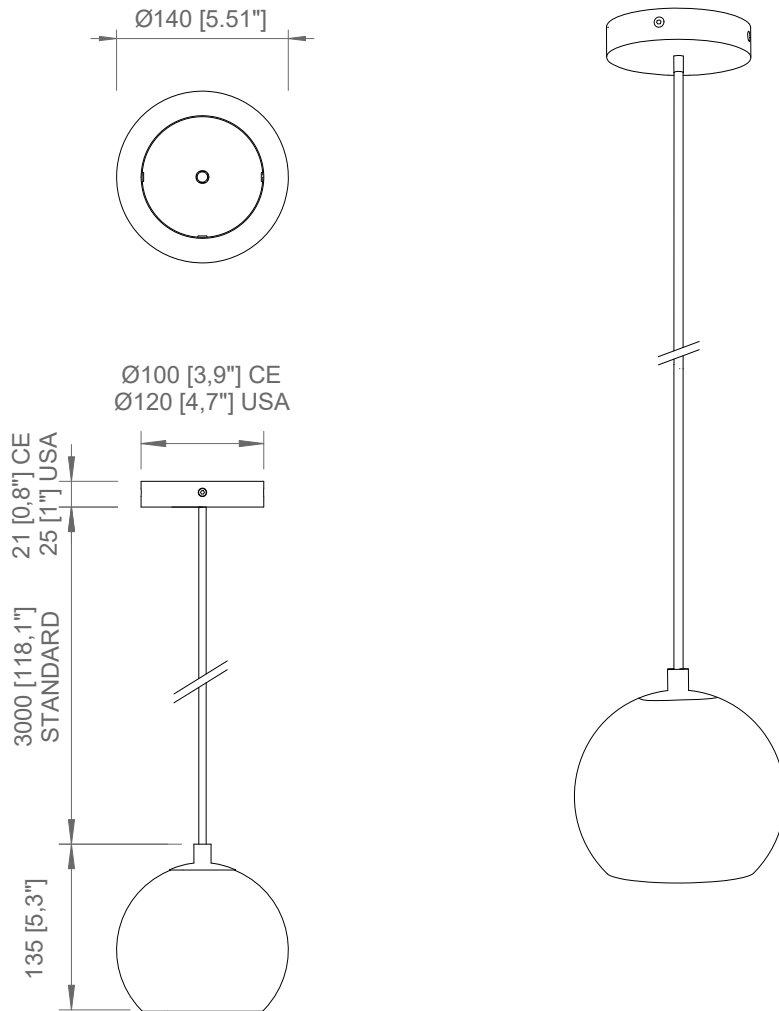
550 Lm nominal

2.700 °K; CRI: >90

DIMMABLE

Compatible with remote control systems





IMBALLI / PACKAGING

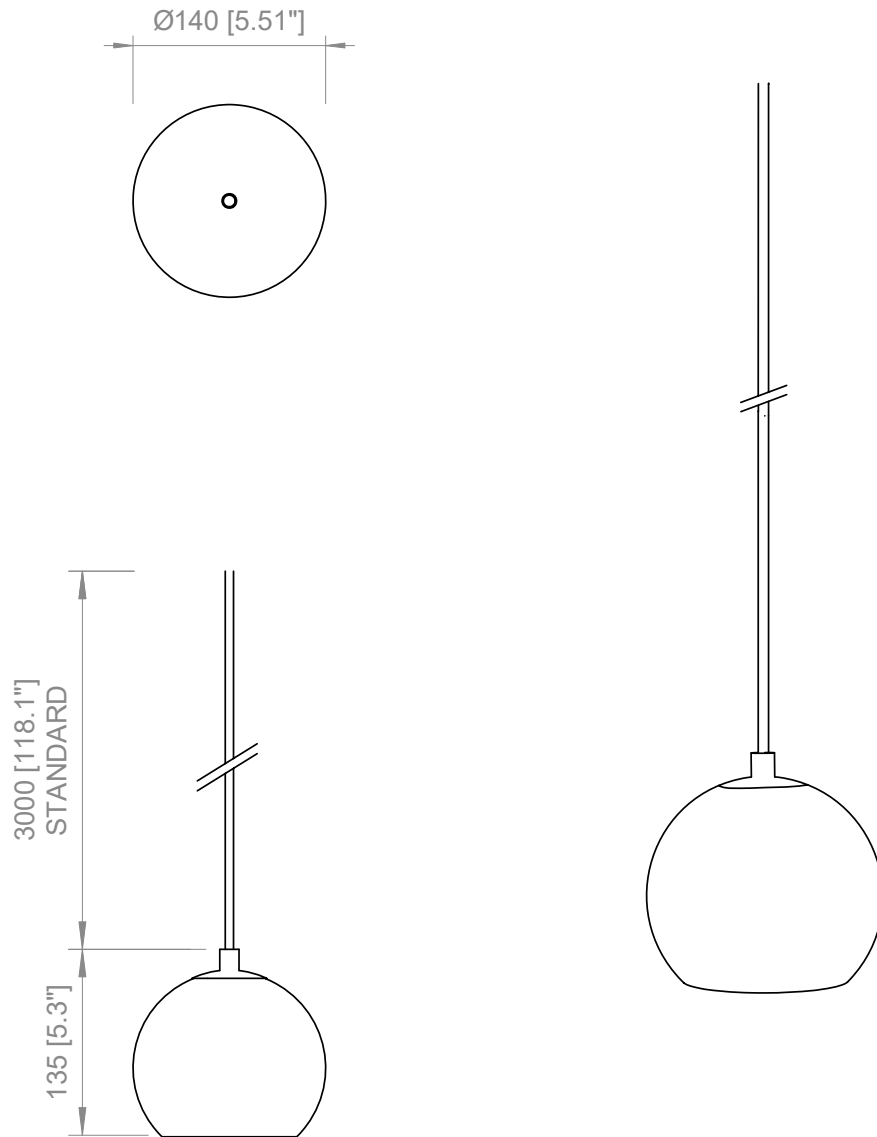
Box 1

L: 270 mm / 10.6"

P: 270 mm / 10.6"

H: 250 mm / 9.8"

Peso: 1,5 kg / 3,3 lbs



IMBALLI / PACKAGING

Box 1

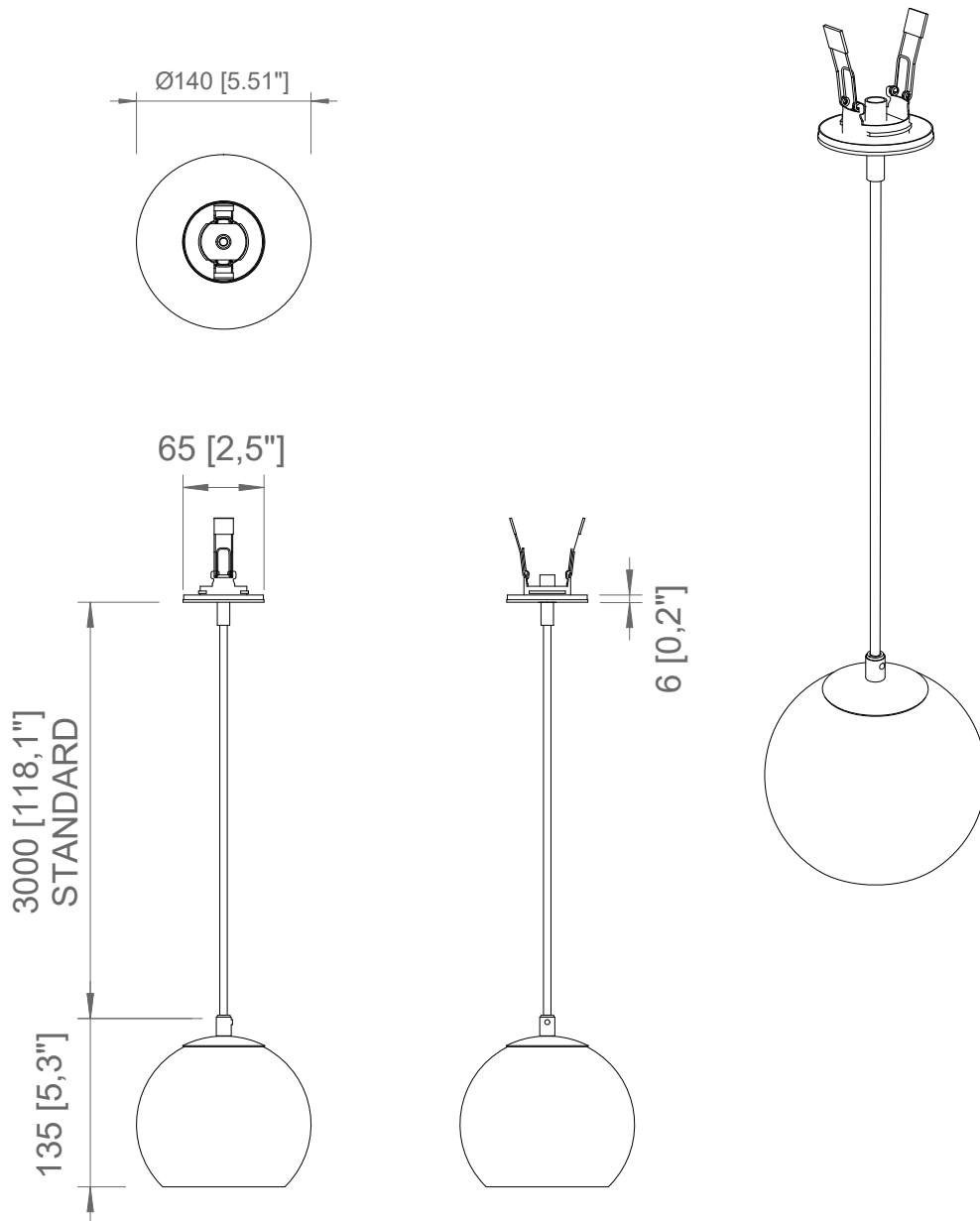
L: 220 mm / 8.6"

P: 220 mm / 8.6"

H: 250 mm / 9.8"

Peso: 1 kg / 2.2 lbs

KUBRIC SO SINGLE
ATTACCO PER CONTROSOFFITTO / CONNECTION FOR FALSE CEILING



Copyright and/or design rights subsist in this drawing. No part of this drawing may be reproduced in any material form (including photocopying or storing in any medium electronic means, whether or not intentionally and whether or not as part or a larger publication) without the express permission of the copyright owner, Contardi Lighting S.r.l.. Further and without prejudice to the above, this drawing and all information relating thereto is confidential, and shall not be communicated to a third party without the consent of Contardi lighting srl. Contardi lighting srl asserts all rights to be identified as the author of the work and otherwise.

WARNING: The doing of any unauthorised act in relation to a copyright work may result in both a civil claim for damages and criminal prosecution.

CONTARDI LIGHTING Srl

ITALY HEADQUARTERS

www.contardi-italia.com / sales@contardi-italia.it

CONTARDI USA Inc

USA BRANCH

www.contardi-usa.com / sales@contardi-usa.com