

# Calypso so xl outdoor

Servomuto



SO XL OUTDOOR  
ANTIGUA



SO XL OUTDOOR  
GUADALOUPE



SO XL OUTDOOR  
MARTINIQUE



Calypso si allarga con le sospensioni in formato XL anche IP65 da esterno, dalle medesime caratteristiche delle versioni standard. Disponibile nelle tre famose combinazioni Antigua Mint, Guadeloupe Sale e Pepe e Martinique Yellow, su richiesta è possibile avere anche le altre colorazioni della collezione Calypso SO Outdoor.

*Calypso family grows with the suspensions in XL format also in IP65 outdoor version, with the same characteristics as the standard versions. Available in the three famous combinations Antigua Mint, Guadeloupe Sale e Pepe and Martinique Yellow, on request it is also possible to order the other colours of Calypso SO collection.*

SPECIFICHE PRODOTTO / PRODUCT SPECIFICS

p.2

CALYPSO SO XL OUTDOOR ANTIGUA  
CALYPSO SO XL OUTDOOR GUADALOUPE  
CALYPSO SO XL OUTDOOR MARTINIQUE

p.3  
p.4  
p.5

**STRUTTURA / FRAME**



Ottone satinato  
*Satin brass*



Corda da marina impermeabile  
intrecciata in tinta verde  
*Green waterproof braided rope*

**DIFFUSORE E PARALUME / DIFFUSER AND SHADE**



Vetro trasparente  
*Transparent glass*

**ANTIGUA**



Mint

**GUADALOUPE**



Sale e pepe

**MARTINIQUE**



Yellow

**NOTE:**

1. Tessuti ignifughi: CLASSE UNO IM - BS EN 1021.1:2006 CIGARETTE TEST - BS EN 1021.2:2006 BUTANE FLAME TEST - NPFA 260:CLASS 1 IMO A0652(16) - CIGARETTE TEST AND BUTANE TEST  
2. Possibilità di regolare l'altezza del cordone. Consultare le istruzioni di montaggio per le informazioni dettagliate.

**NOTES:**

1. Fire-resistant fabrics: CLASSE UNO IM - BS EN 1021.1:2006 CIGARETTE TEST - BS EN 1021.2:2006 BUTANE FLAME TEST - NPFA 260:CLASS 1 IMO A0652(16) - CIGARETTE TEST AND BUTANE TEST  
2. Adjustable rope length. Refer to the installation instructions.

**CAVO / CABLE**

Corda da marina impermeabile intrecciata in tinta verde  
*Green waterproof braided rope*

**SO**

H: 2000 mm  
H: 78.7"

**FONTE LUMINOSA / LIGHT SOURCE**

**110V**



E27 T8 Tubular LED  
IP65  
Utilizzabili lampadine LED fino alla massima  
potenza disponibile sul mercato  
*You can use LED light bulbs of the highest  
available wattage*

*H max: 125 mm / 4.9"*

1 x E27 T8  
Lampadina Tubular LED  
Tubular LED bulb



 Calypso SO XL Outdoor

**220-240V**

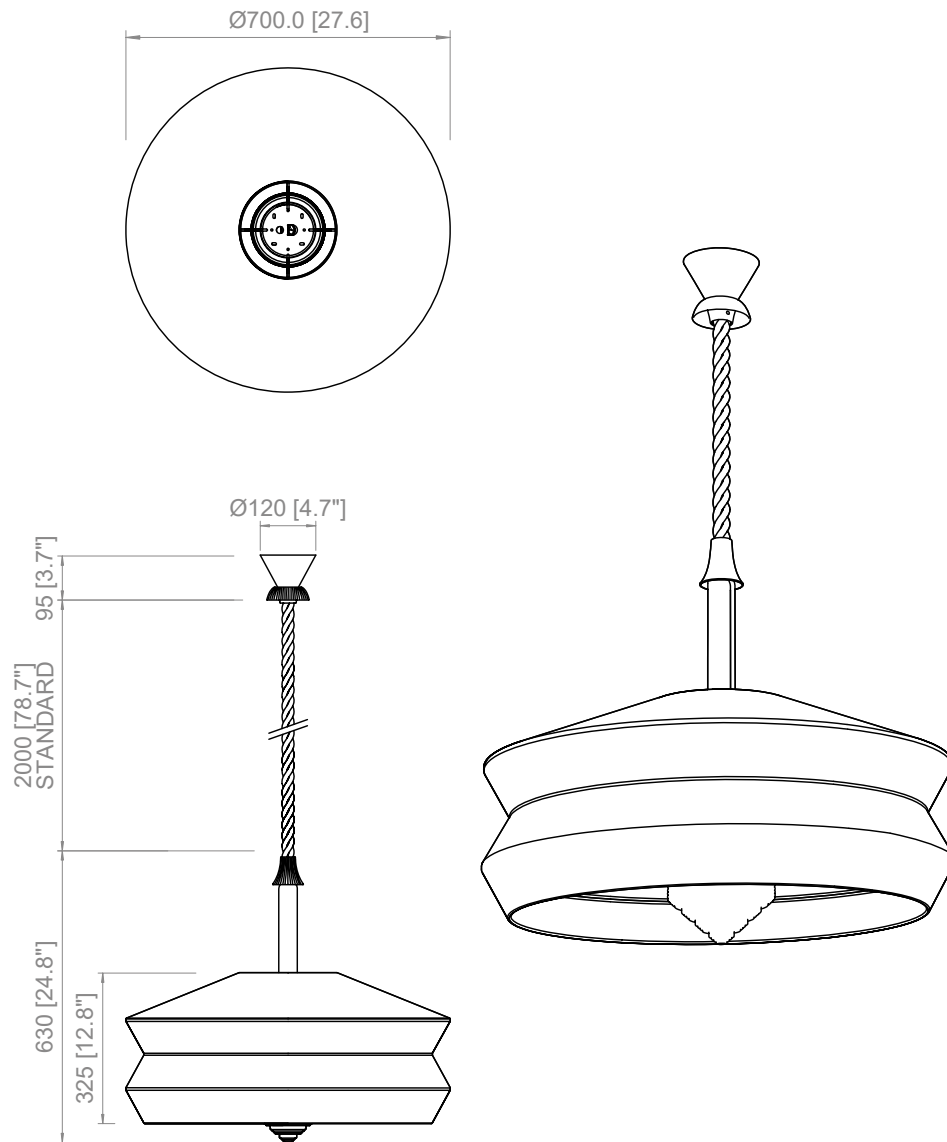


E26 T8 Tubular LED  
IP65

*You can use LED light bulbs of the highest  
available wattage*

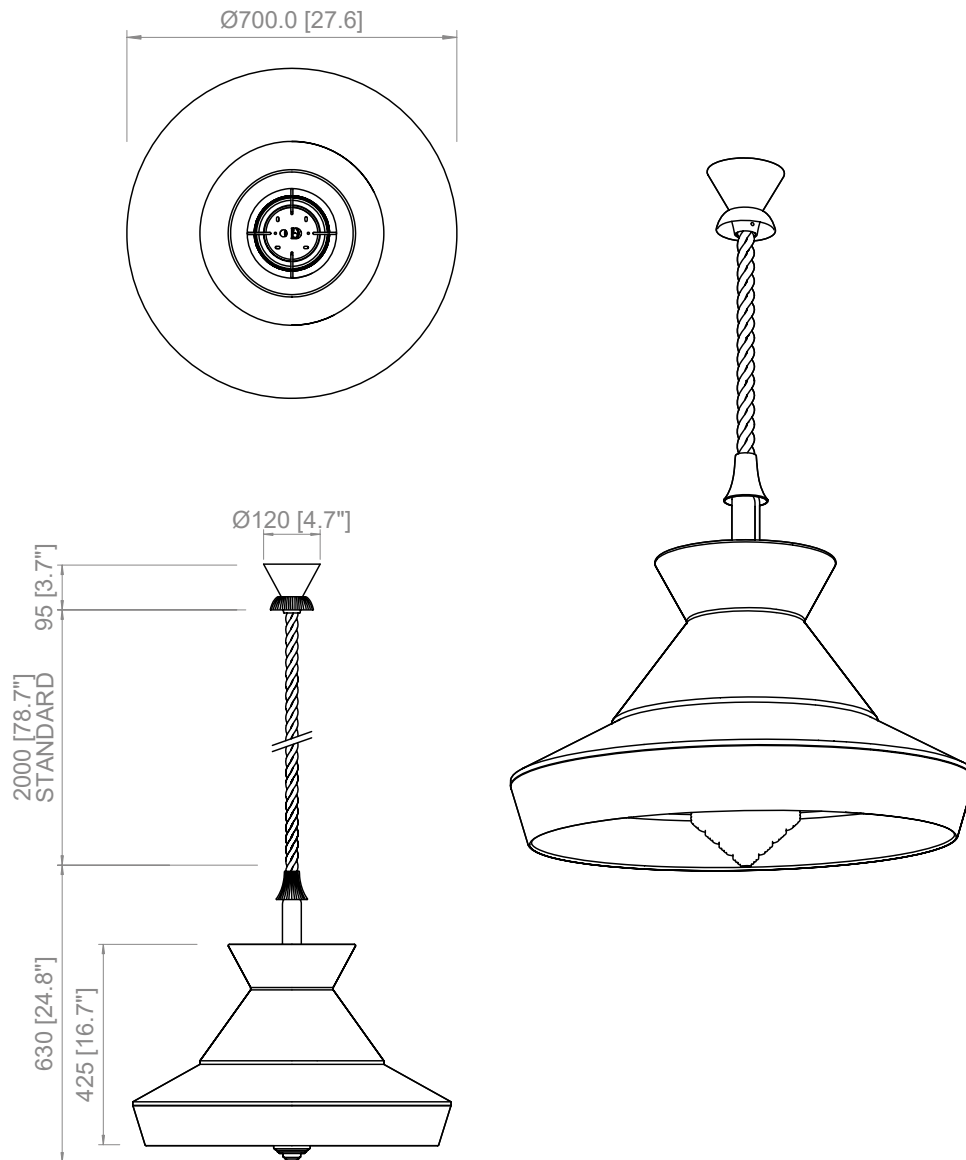
*H max: 125 mm / 4.9"*

1 x E26 T8  
Tubular LED bulb



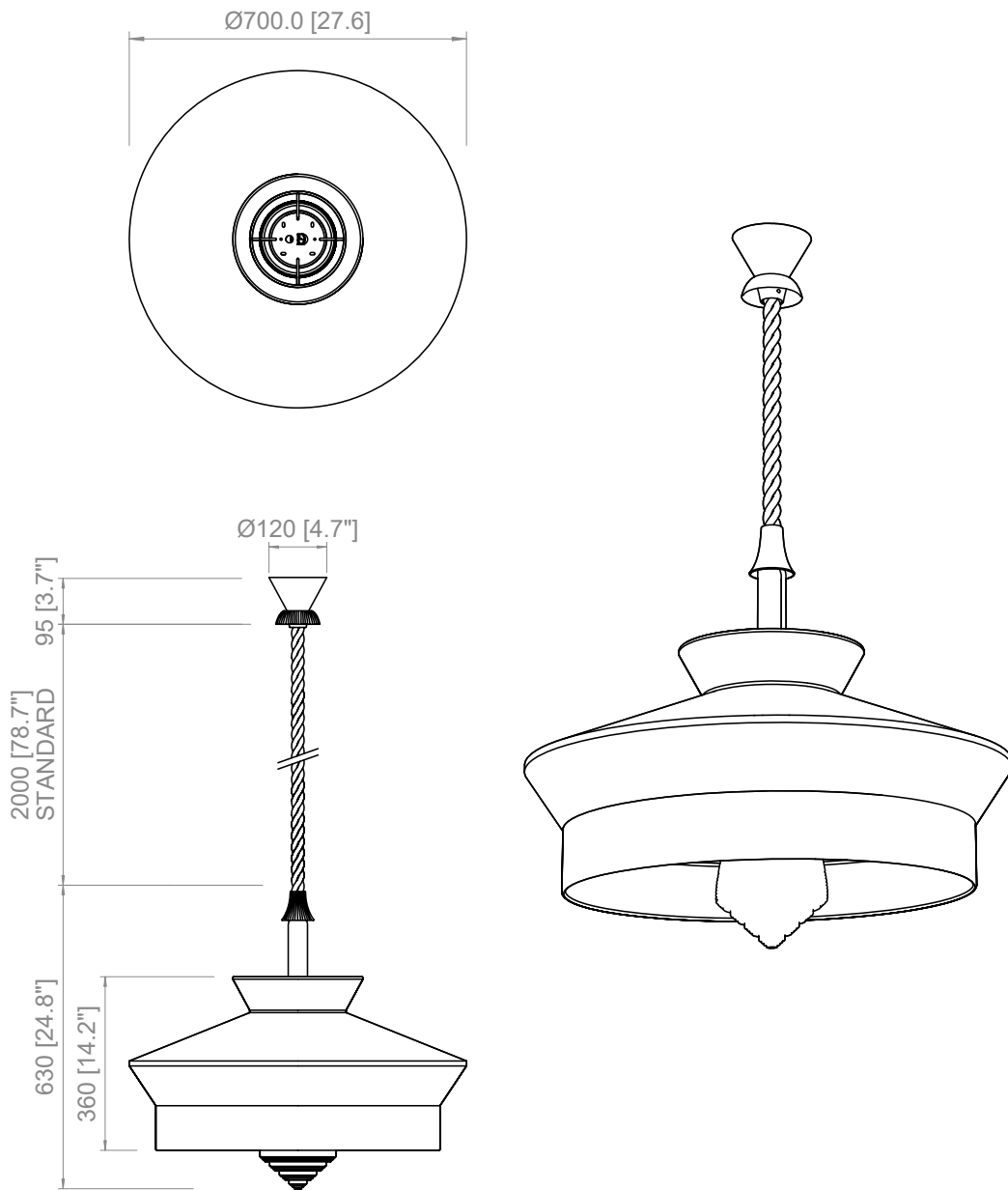
**IMBALLI / PACKAGING**

Box 1	Box 2
L: 550 mm / 21.6"	L: 760 mm / 29.9"
P: 240 mm / 9.4"	P: 760 mm / 29.9"
H: 300 mm / 11.8"	H: 450 mm / 17.7"
Peso: 3.5 kg / 7.7 lbs	Peso: 7 kg / 15.4 lbs



**IMBALLI / PACKAGING**

Box 1	Box 2
L: 550 mm / 21.6"	L: 760 mm / 29.9"
P: 240 mm / 9.4"	P: 760 mm / 29.9"
H: 300 mm / 11.8"	H: 450 mm / 17.7"
Peso: 3.5 kg / 7.7 lbs	Peso: 7 kg / 15.4 lbs



**IMBALLI / PACKAGING**

Box 1	Box 2
L: 550 mm / 21.6"	L: 760 mm / 29.9"
P: 240 mm / 9.4"	P: 760 mm / 29.9"
H: 300 mm / 11.8"	H: 450 mm / 17.7"
Peso: 3.5 kg / 7.7 lbs	Peso: 7 kg / 15.4 lbs

Copyright and/or design rights subsist in this drawing. No part of this drawing may be reproduced in any material form (including photocopying or storing in any medium electronic means, whether or not intentionally and whether or not as part or a larger publication) without the express permission of the copyright owner, Contardi Lighting S.r.l.. Further and without prejudice to the above, this drawing and all information relating thereto is confidential, and shall not be communicated to a third party without the consent of Contardi lighting srl. Contardi lighting srl asserts all rights to be identified as the author of the work and otherwise.

WARNING: The doing of any unauthorised act in relation to a copyright work may result in both a civil claim for damages and criminal prosecution.

---

**CONTARDI LIGHTING Srl**

ITALY HEADQUARTERS

[www.contardi-italia.com](http://www.contardi-italia.com) / [sales@contardi-italia.it](mailto:sales@contardi-italia.it)

**CONTARDI USA Inc**

USA BRANCH

[www.contardi-usa.com](http://www.contardi-usa.com) / [sales@contardi-usa.com](mailto:sales@contardi-usa.com)

