

Manhattan

Contardi Studio



Lampada da lettura, per uso a lato letto o direttamente sulla testata, è caratterizzata da un doppio braccio snodato che si muove sia sull'asse della base che sul punto di giuntura tra i due bracci. La testa è orientabile. Disponibile in due finiture e con o senza interruttore sulla basetta.

Reading lamp, for use on the bed side or directly on the headboard, it is characterised by a double jointed arm that moves both on the axis of the base and on the joint between the two arms. The head is adjustable. Available in two finishes and with or without switch.

SPECIFICHE PRODOTTO / PRODUCT SPECIFICS

p.2

MANHATTAN AP
MANHATTAN AP _ USA

p.4

p.5

STRUTTURA / FRAME



Disponibile con o senza interruttore
Available with or without switch



FONTE LUMINOSA / LIGHT SOURCE

220-240V

- Custom LED
- 1 X 3W
Custom LED
- Lumen: 500
- 2.700 K; CRI: >90

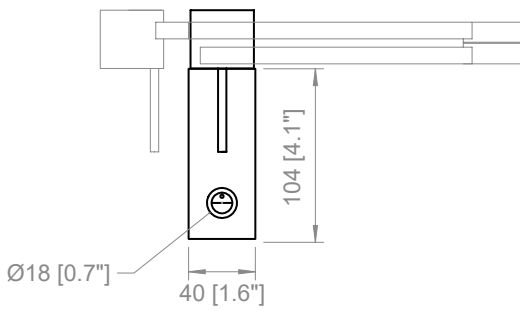


110V

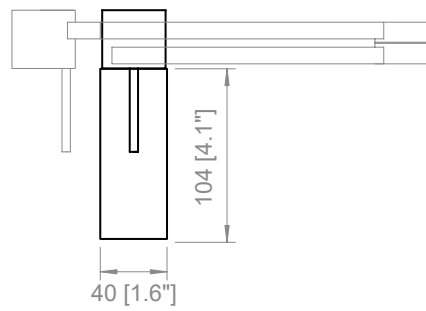
- Custom LED
- 1 X 3W
Custom LED
- Lumen: 500
- 2.700 K; CRI: >90



MANHATTAN AP - CON O SENZA INTERRUPTORE / WITH OR WITHOUT SWITCH

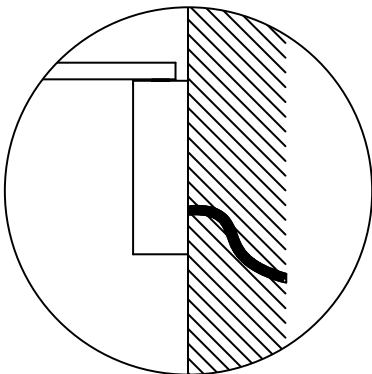


Con interruttore
With switch

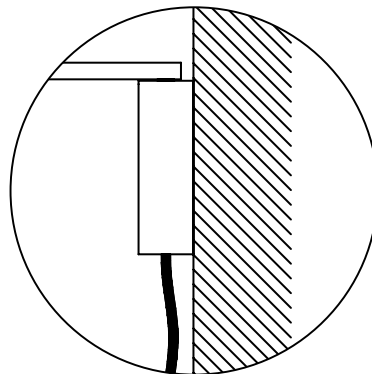


Senza interruttore
Without switch

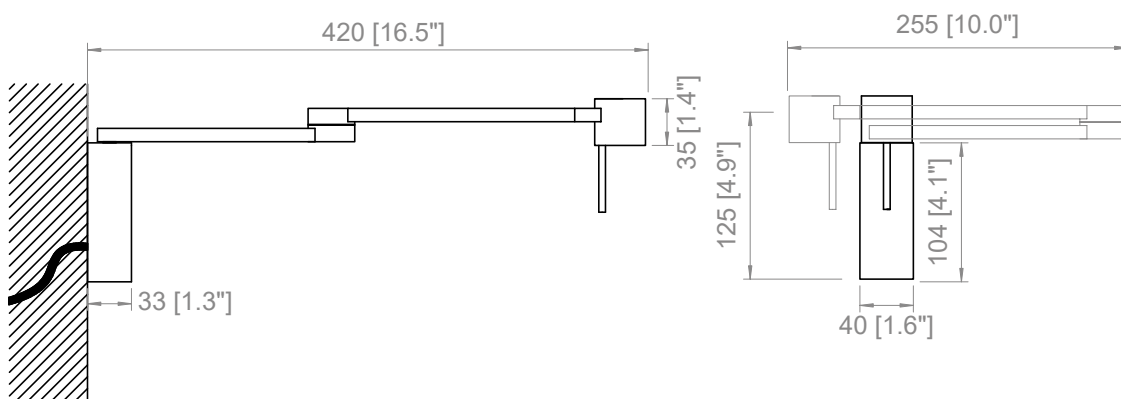
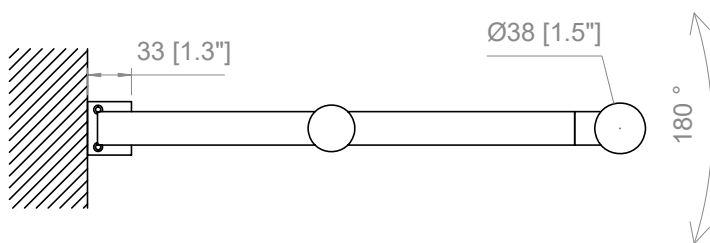
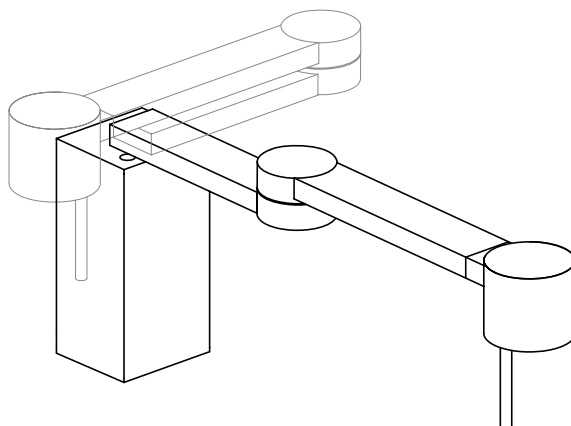
MANHATTAN AP - USCITA DEL CAVO / *CABLE OUTPUT*



Cavo nero in uscita dal retro
Black cable without plug



Cavo in tessuto nero con spina in uscita dalla base
Cable (black fabric) with plug



IMBALLI / PACKAGING

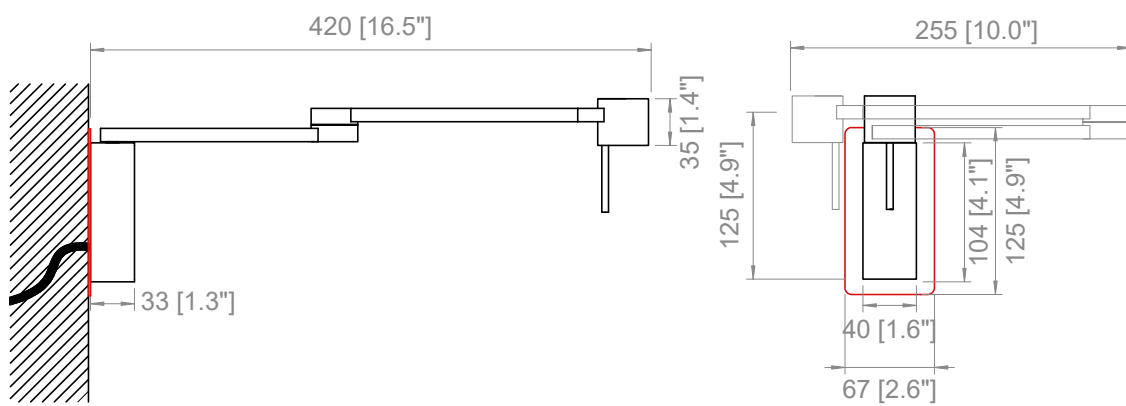
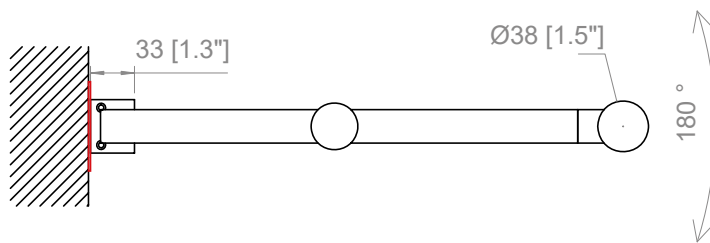
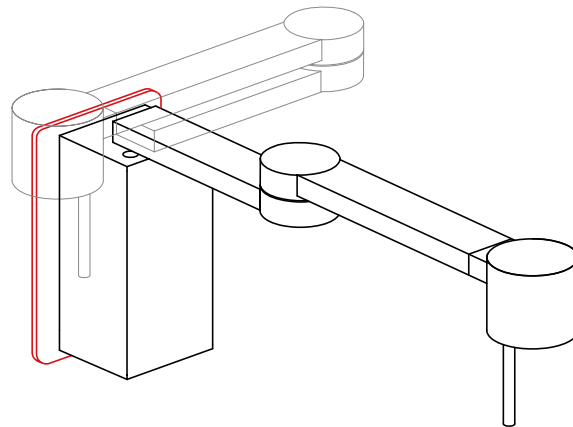
Box 1

L: 330 mm / 13"

P: 210 mm / 8.2"

H: 65 mm / 2.5"

Peso: 1 kg / 2.2 lbs



IMBALLI / PACKAGING

Box 1

L: 330 mm / 13"
 P: 210 mm / 8.2"
 H: 65 mm / 2.5"
 Peso: 1 kg / 2.2 lbs

Copyright and/or design rights subsist in this drawing. No part of this drawing may be reproduced in any material form (including photocopying or storing in any medium electronic means, whether or not intentionally and whether or not as part or a larger publication) without the express permission of the copyright owner, Contardi Lighting S.r.l.. Further and without prejudice to the above, this drawing and all information relating thereto is confidential, and shall not be communicated to a third party without the consent of Contardi lighting srl. Contardi lighting srl asserts all rights to be identified as the author of the work and otherwise.

WARNING: The doing of any unauthorised act in relation to a copyright work may result in both a civil claim for damages and criminal prosecution.

CONTARDI LIGHTING Srl

ITALY HEADQUARTERS

www.contardi-italia.com / sales@contardi-italia.it

CONTARDI USA Inc

USA BRANCH

www.contardi-usa.com / sales@contardi-usa.com

