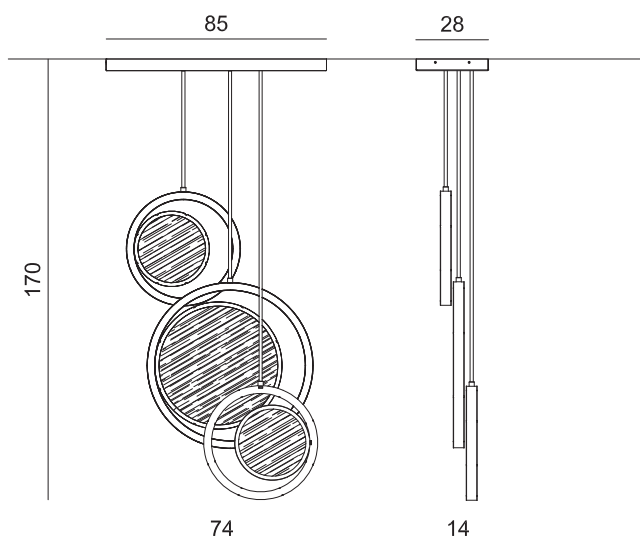



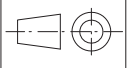
MOON suspension lamp

three elements

Width: 74
Height: 170
Depth: 14
Structure: 21kg / 46 lb
Structure: Three metal circular element in Antique gold finish with decorated resin diffuser. Integrated LED lighting.
Notes: Power supply: 80-260Vac
 Power consumption: 84W
 2700K - 6700 lm - **CE**

Technical drawing



	Email: info@oasisgroup.it		.	.	.	
	Fax: 0434/654850		.	.	.	
	Telephone number: 0434/654752		.	.	.	
			.	.	.	
Model		Size	Description		Item ref	
HOME		A4			MOON suspension lamp	
Draftsman	Check	Date	Scale	three elements		Drawing ref
						Date of final approval
					December 2017	