

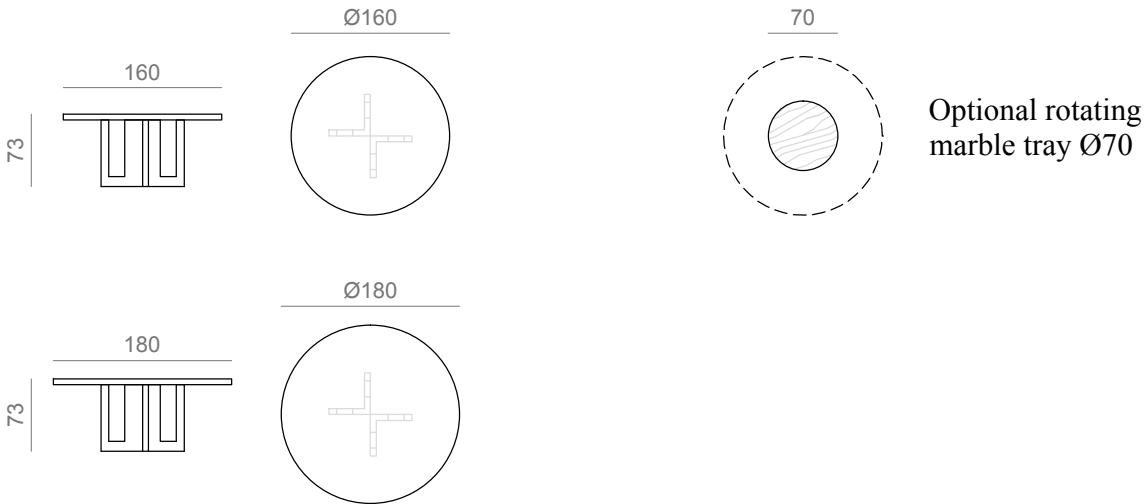
TAO round table

Width: Ø160 - 180
Height: H73
Depth: Ø160 - 180
Weight: 130kg - 150kg / 286,6lb - 330,6lb
Structure: Wooden structure available in wooden finish or matt/glossy lacquer

Notes: For lacquered versions a protection glass top in the same color of the table is provided. Base available with or without metal profiles in chrome, bronze or gold finish.



Technical drawing



	Email: info@oasisgroup.it		.	.	.
	Fax: 0434/654850		.	.	.
	Telephone number: 0434/654752		.	.	.
			.	.	.
Model HOME		Size A4	Description TAO round table		Item ref 5HMTT1_
Draftsman	Check	Date	Scale	Drawing ref	
Martin S.	Santin S.	12/05/16	.	Date of final approval	TECHNICAL OFFICE