

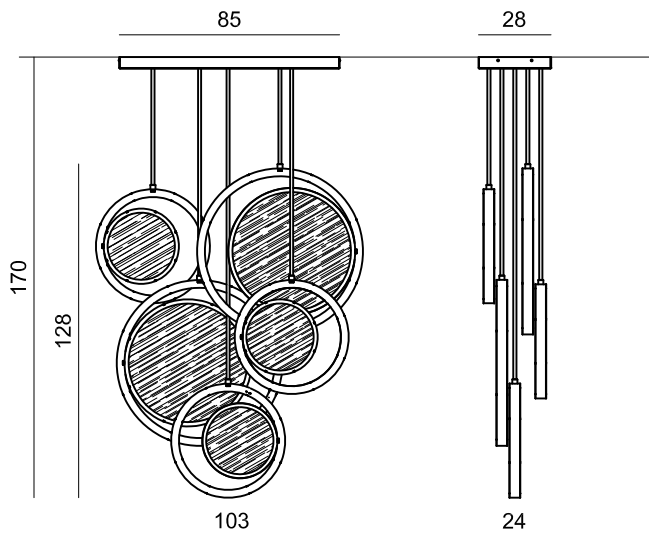
# MOON suspension lamp


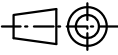
## five elements

**Width:** 103  
**Height:** 170  
**Depth:** 24  
**Weight:** 32kg / 70,5lb  
**Structure:** Five metal circular element in antique gold finish with decorated resin diffuser. Integrated LED lighting.  
**Notes:** Power supply: 80-260Vac  
 Power consumption: 170W  
 2700K - 13500 lm - **CE**



### Technical drawing



	Email: info@oasisgroup.it		.	.	.
	Fax: 0434/654850		.	.	.
	Telephone number: 0434/654752		.	.	.
	29.11.17 review for final confirmation		.	.	Martin S.
Model <b>MOON</b>		Size A4	Description <b>Suspension lamp five elements</b>		Item ref 5HLMOSZ05
Draftsman		Check	Date	Scale	Date of final approval December 2017