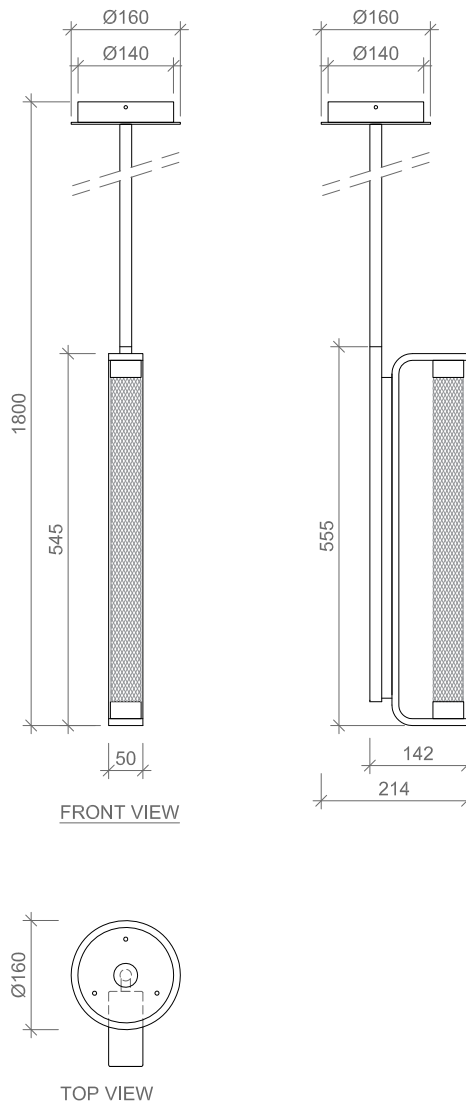




**Model:** STRADIVARI single pendant lamp  
**Code:** 5HLSTSV01D  
**Width:** 50  
**Height:** 1800  
**Depth:** 142  
**Weight:** 7Kg/15,4lb  
**Description:** Wall lamp with "diamond" effect glasses decorated by hand. Metal elements available in Chrome, Bronze or Gold finishes.  
**Light:** Integrated LED lighting: 220/230V - 2x4W  
 2700K - 900lm - IP20 -   
 Dimmable LED system

Technical drawing




Email:  
 info@oasisgroup.it  
 Phone number:  
 0434/654752

REVISION			
Description	TECHNICAL SHEET	Collection	STRADIVARI
		Draftsman	Item ref
		Uff. Tecnico	5HLSTSV03
		Date	27.06.18
		Scale	1:8