

Copérnica

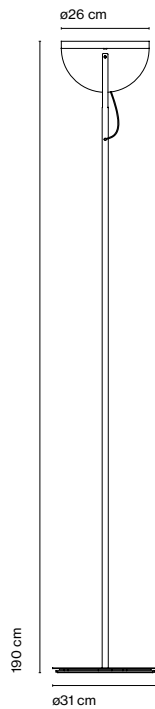
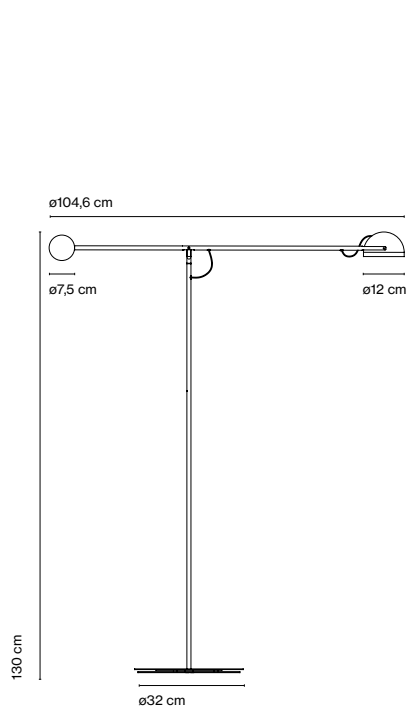
Ramírez i Carrillo

marset



Copérnica P

Copérnica P190



Copérnica P

Light source:
LED SMD 24Vdc 4,7W
2700K CRI90 491lm
Luminaire:
85 - 264 VAC 5,94W 416lm

Copérnica P190

Light source:
LED SMD 700mA 25,8W
2700K CRI90 3064lm
Luminaire:
220 - 240 VAC 28,9W
2302lm

LED included

Black electrical cord



Watch the video

info@marset.com

Structure in satin nickel or graphite with the base and counterweight in lacquered steel. Tilttable difusser in aluminium with a built-in switch.

Copérnica P

- Satin nickel - Golden - White
- Satin nickel - Graphite - White
- Satin nickel - Red - White
- Graphite - Golden - Black
- Graphite - Satin nickel - Black
- Graphite - Red - Black

Copérnica P190

- Satin nickel - White
- Graphite - Black



* 3 positions dimmer (Copernica P)

* Progressive dimmer (Copernica P190)

- [Download](#) Assembly instructions
- [Download](#) 2D
- [Download](#) 3D
- [Download](#) Photometric data

Collection



The collection consists of desktop and standing versions that play with counterweights of mixed materials and density, such as steel and aluminium. This design allows one to move the lamp with great precision, providing a wide range of heights, distances, and adjustments to the beam of light to suite one's taste.