

Circus

Contardi Studio



SO



PL



La Circus rappresenta la filosofia della “Camicia bianca” versatile e adatta ad ogni contesto. Un prodotto semplice ma completo che permette di personalizzare il paralume in tessuto con passamaneria di colorazioni diverse. Tutte le dimensioni disponibili hanno le sorgenti luminose montate verticalmente sui raggi del supporto per garantire un’illuminazione omogenea senza formazione di ombre. Le chiusure e i dischi diffusori sottostanti sono realizzati e montati con il filo armonico che consente di piegare leggermente i bordi del disco diffusore, di inserirlo e quindi appoggiarlo sulla corona interna del telaio inferiore. Questo garantisce la cosiddetta chiusura a tamburo che a livello di finitura estetica è senza dubbio una delle più raffinate, poiché non ricorre a ganci o supporti.

Circus represents the philosophy of the “White Shirt”, versatile and suitable for any context. A simple but complete product that allows you to customize the fabric shade with different coloured trimmings. All available sizes have the light sources mounted vertically on the support spokes to ensure homogeneous lighting without shadows. The bottom diffusing discs are made and mounted with the piano wire that allows to slightly bend the edges of the diffuser disc, in order to insert it and then place it on the inner board of the lower frame. This guarantees the so-called “drum effect”, which undoubtedly is one of the most refined in terms of aesthetic finish as it does not resort to hooks or supports.

SPECIFICHE PRODOTTO / PRODUCT SPECIFICS

CIRCUS SO 50
CIRCUS SO 75
CIRCUS SO 90
CIRCUS SO 120
CIRCUS SO 150

p.2

CIRCUS PL 50
CIRCUS PL 75
CIRCUS PL 90
CIRCUS PL 120
CIRCUS PL 150

p.3

p.4

p.5

p.6

p.7

p.8

p.9

p.10

p.11

p.12

STRUTTURA / FRAME



Laccato bianco
White lacquered

PARALUME / SHADE



Cotone bianco
White cotton



Bouclé



Lino bianco
White linen



Tessuto effetto marmo Calacatta
Calacatta marble effect fabric

CAVO / CABLE

Trasparente
Transparent

SO
H: 200 cm
H: 78.7"

Cavi in acciaio laterali per il bilanciamento del prodotto
Side steel cables for product balancing

USA / CABLE

Transparent

SO
H: 78.7"

Side steel cables for product balancing

FONTE LUMINOSA / LIGHT SOURCE

110V



E27 LED
Utilizzabili lampadine LED fino alla massima
potenza disponibile sul mercato
You can use LED light bulbs of the highest
available wattage

SO 50 / SO 75
PL 50 / PL 75

3 X E27

Lampadine LED
LED light bulbs

SO 90 / SO 120 / SO 150
PL 90 / PL 120 / PL 150

4 X E27

Lampadine LED
LED light bulbs



220-240V



E26 LED

You can use LED light bulbs of the
highest available wattage

SO 50 / SO 75
PL 50 / PL 75

3 X E26

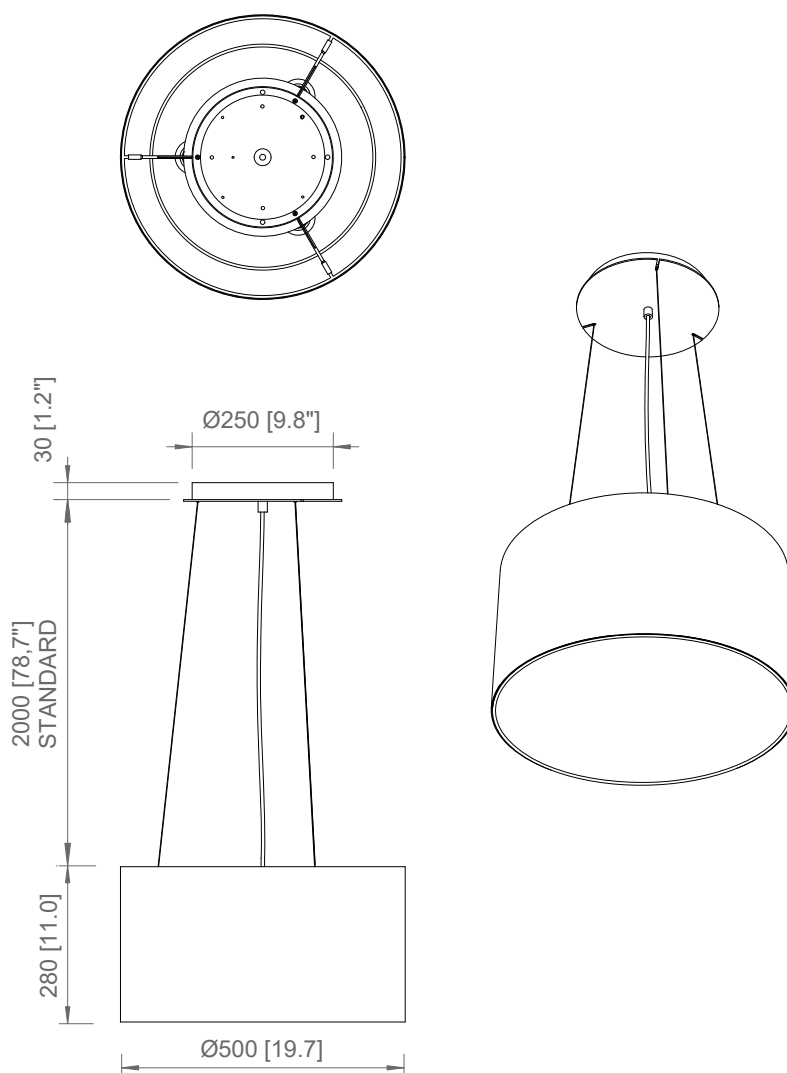
LED light bulbs

SO 90 / SO 120 / SO 150
PL 90 / PL 120 / PL 150

4 X E26

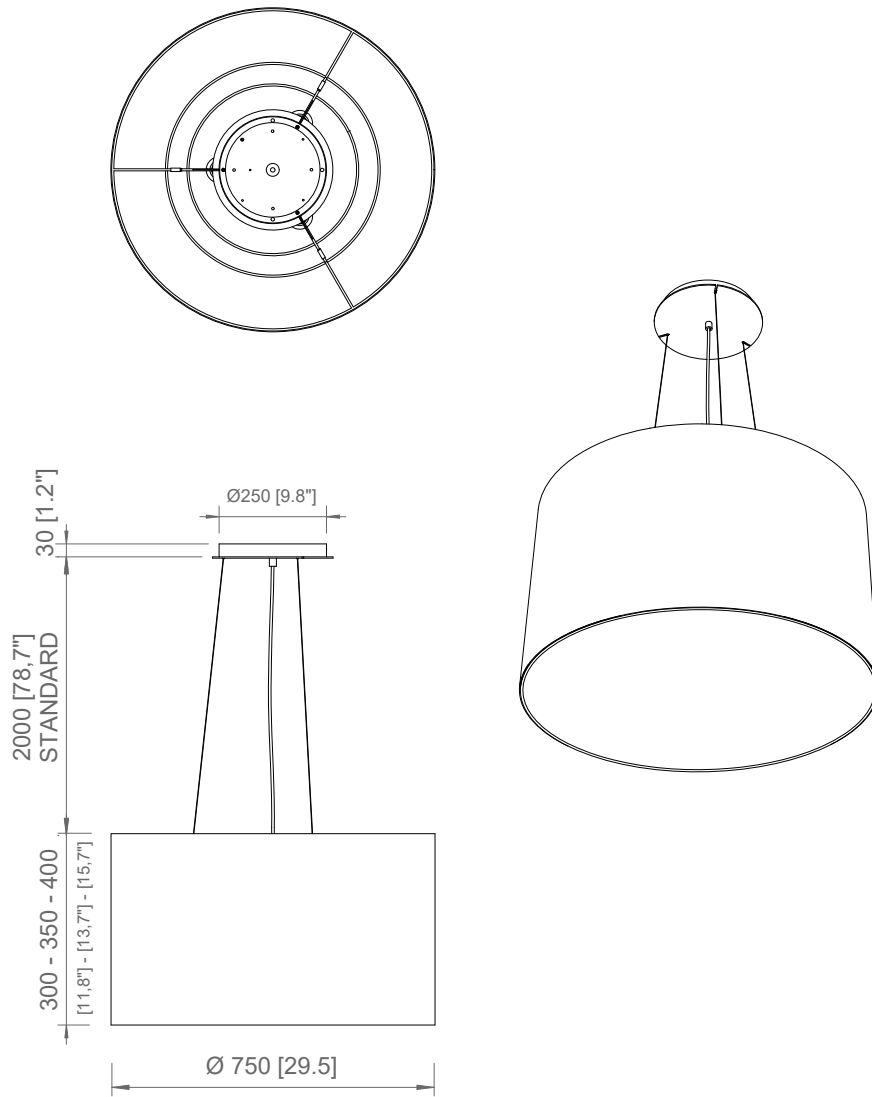
LED light bulbs





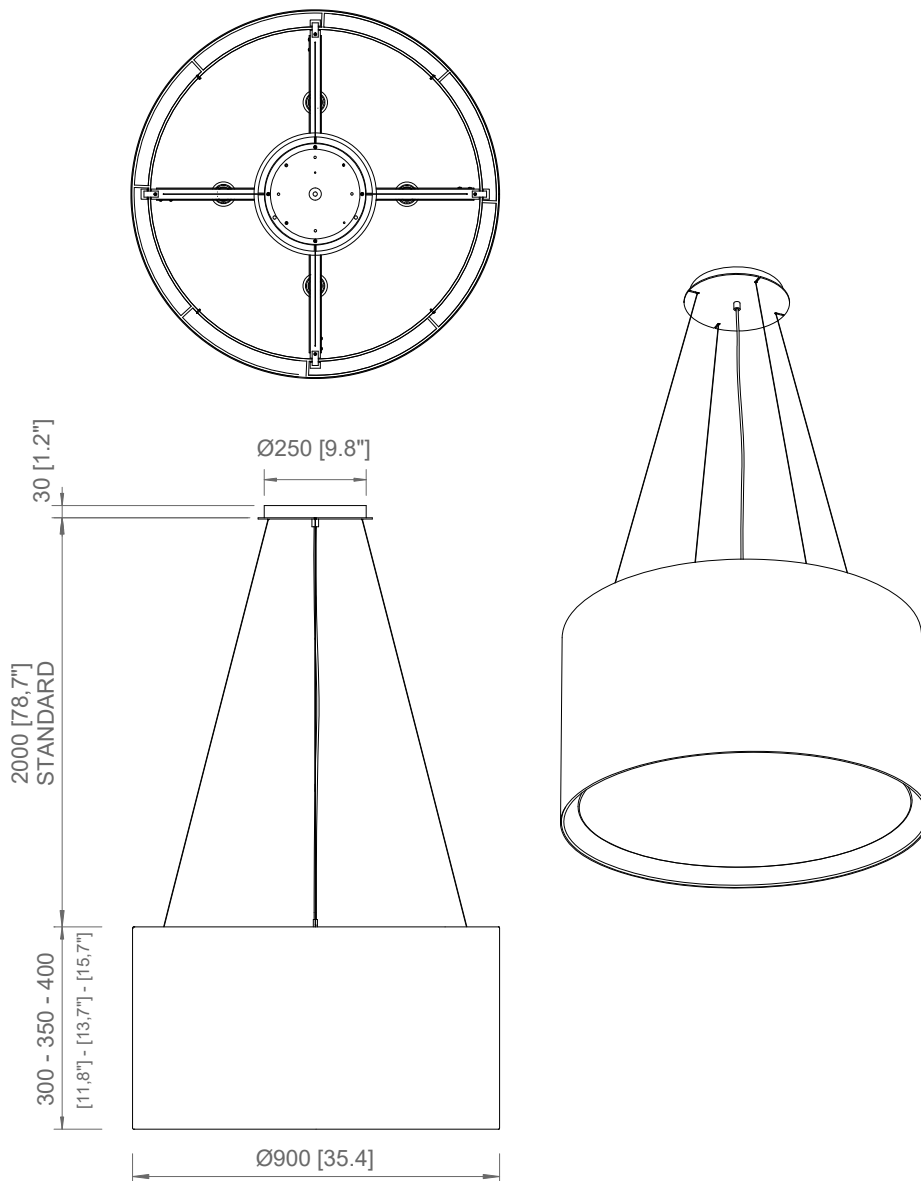
IMBALLI / PACKAGING

Box 1	Box 2
L: 510 mm / 20"	L: 580 mm / 22.8"
P: 510 mm / 20"	P: 580 mm / 22.8"
H: 240 mm / 9.4"	H: 400 mm / 15.8"
Peso: 3.5 kg / 7.7 lbs	Peso: 4 kg / 8.8 lbs



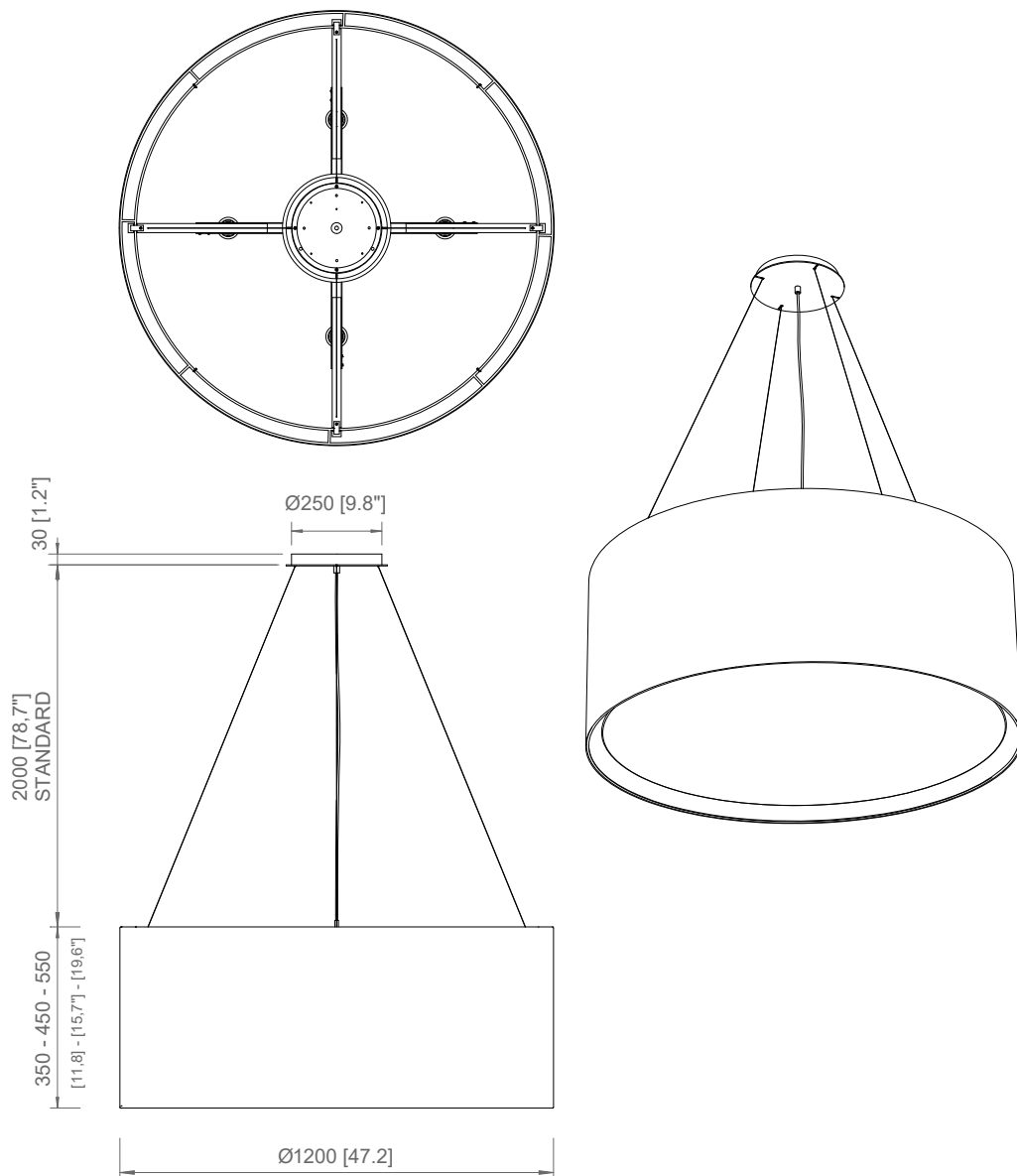
IMBALLI / PACKAGING

Box 1	Box 2
L: 510 mm / 20"	L: 830 mm / 32.6"
P: 510 mm / 20"	P: 830 mm / 32.6"
H: 240 mm / 9.4"	H: 520 mm / 20.4"
Peso: 3.5 kg / 7.7 lbs	Peso: 6.5 kg / 14.3 lbs



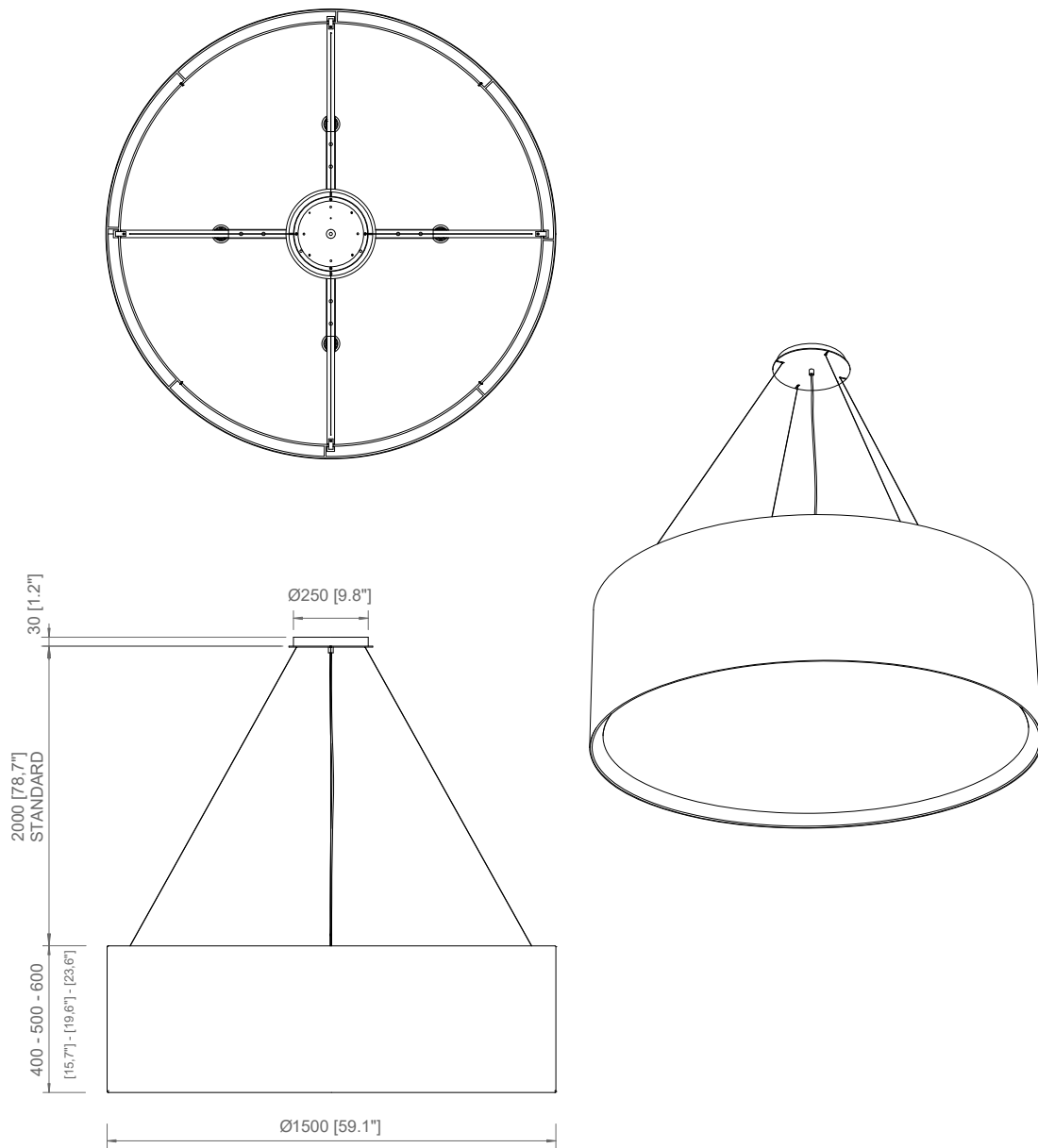
IMBALLI / PACKAGING

Box 1	Box 2
L: 650 mm / 25.6"	L: 1100 mm / 43.3"
P: 700 mm / 27.5"	P: 1100 mm / 43.3"
H: 150 mm / 5.9"	H: 700 mm / 27.5"
Peso: 4 kg / 8.8 lbs	Peso: 10 kg / 22 lbs

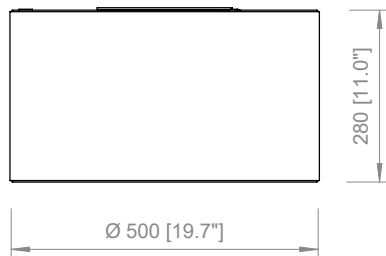
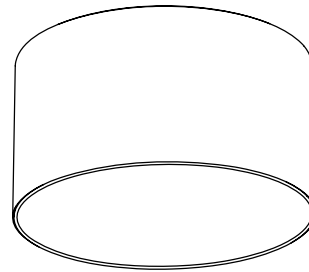
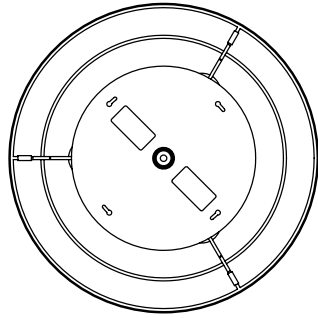


IMBALLI / PACKAGING

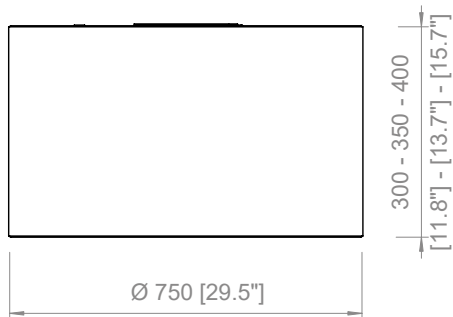
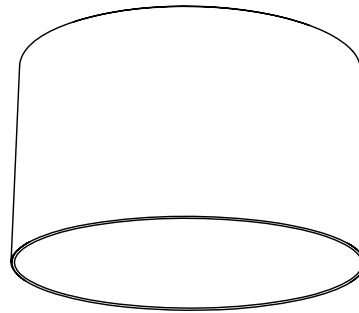
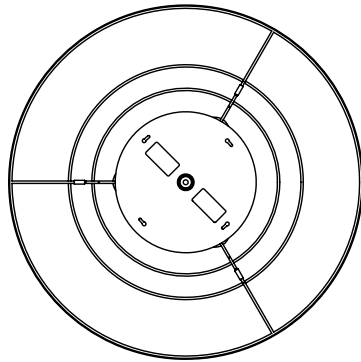
Box 1	Box 2
L: 650 mm / 25.6"	L: 1300 mm / 51.2"
P: 700 mm / 27.5"	P: 1300 mm / 51.2"
H: 150 mm / 5.9"	H: 700 mm / 27.5"
Peso: 4 kg / 8.8 lbs	Peso: 15.5 kg / 34.1 lbs


IMBALLI / PACKAGING

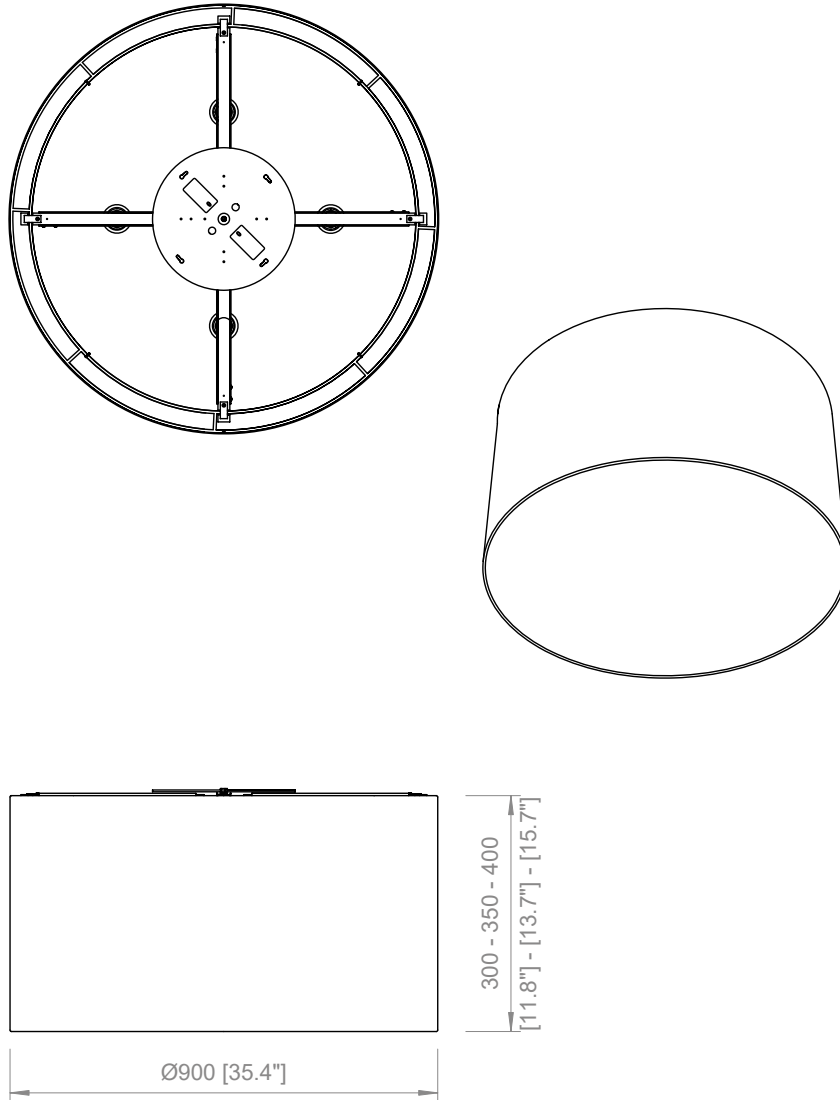
Box 1	Box 2
L: 650 mm / 25.6"	L: 1600 mm / 63"
P: 700 mm / 27.5"	P: 1600 mm / 63"
H: 150 mm / 5.9"	H: 700 mm / 27.5"
Peso: 4 kg / 8.8 lbs	Peso: 20 kg / 44 lbs

**IMBALLI / PACKAGING**

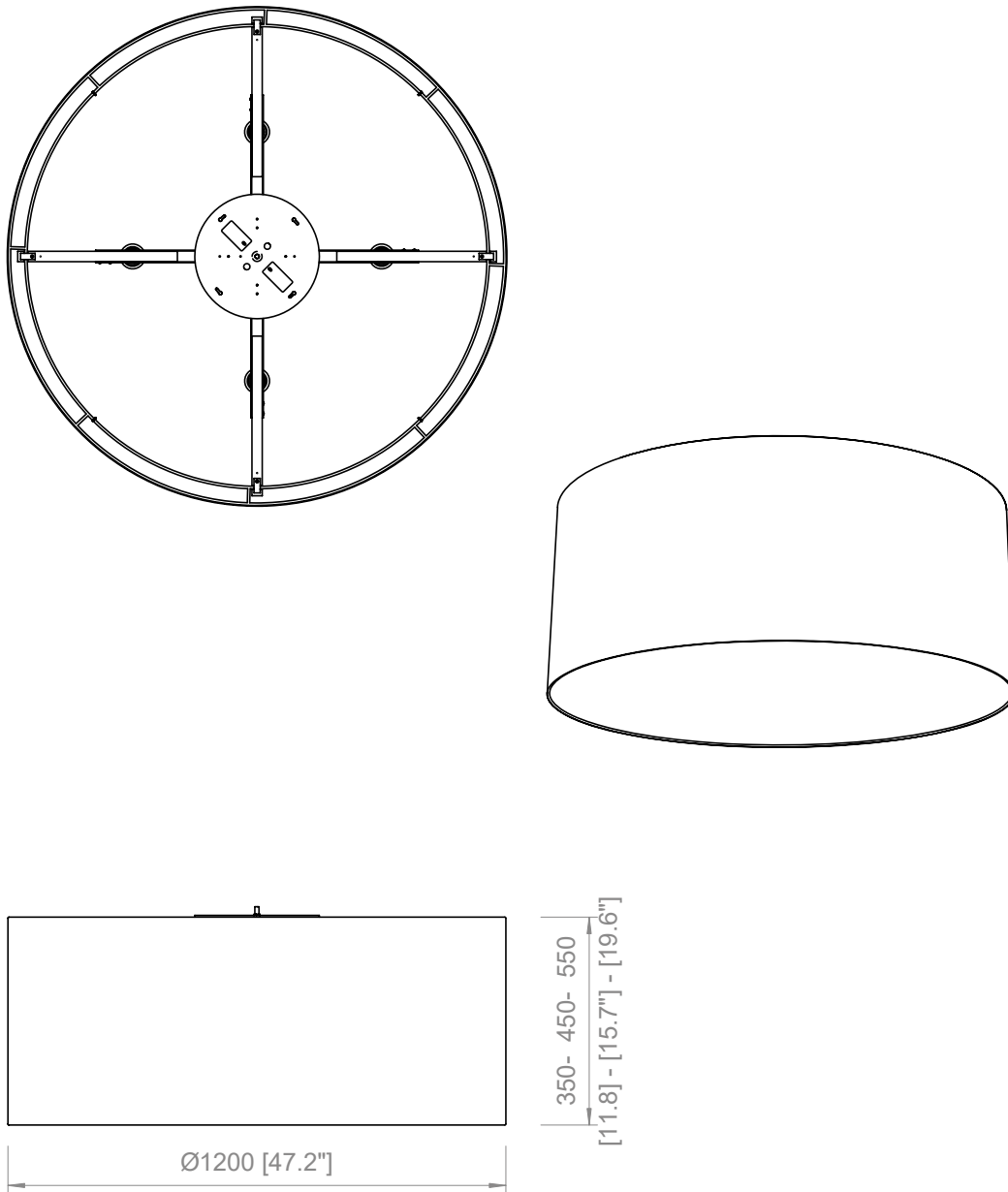
Box 1	Box 2
L: 510 mm / 20"	L: 580 mm / 22.8"
P: 510 mm / 20"	P: 580 mm / 22.8"
H: 240 mm / 9.4"	H: 400 mm / 15.8"
Peso: 3.5 kg / 7.7 lbs	Peso: 4 kg / 8.8 lbs


IMBALLI / PACKAGING

Box 1	Box 2
L: 510 mm / 20"	L: 830 mm / 32.6"
P: 510 mm / 20"	P: 830 mm / 32.6"
H: 240 mm / 9.4"	H: 520 mm / 20.4"
Peso: 3.5 kg / 7.7 lbs	Peso: 6.5 kg / 14.3 lbs

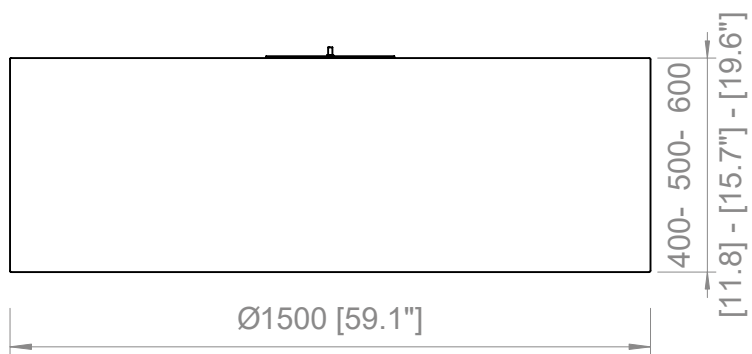
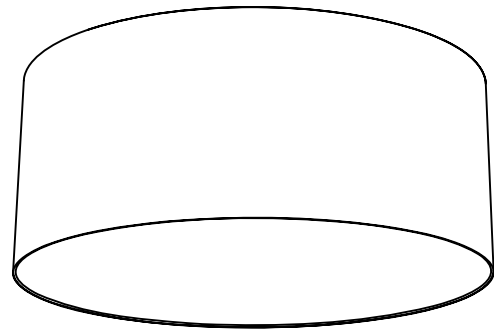
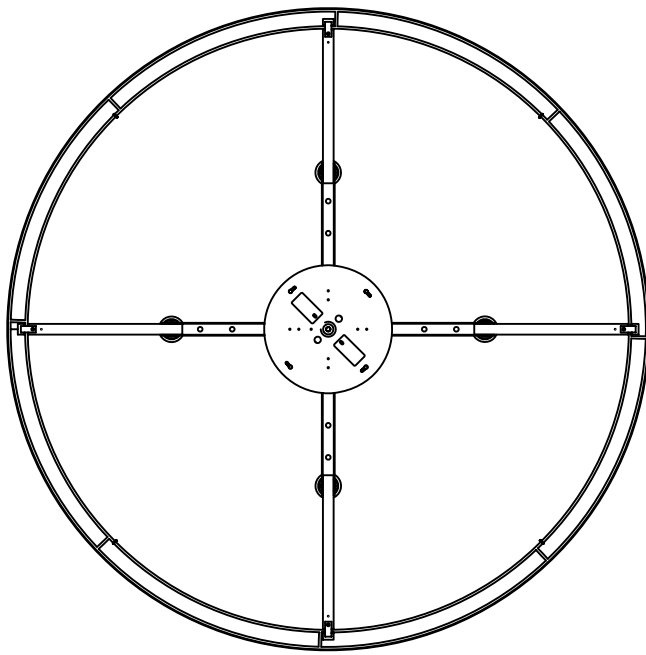

IMBALLI / PACKAGING

Box 1	Box 2
L: 650 mm / 25.6"	L: 1100 mm / 43.3"
P: 700 mm / 27.5"	P: 1100 mm / 43.3"
H: 150 mm / 5.9"	H: 700 mm / 27.5"
Peso: 4 kg / 8.8 lbs	Peso: 10 kg / 22 lbs



IMBALLI / PACKAGING

Box 1	Box 2
L: 650 mm / 25.6"	L: 1300 mm / 51.2"
P: 700 mm / 27.5"	P: 1300 mm / 51.2"
H: 150 mm / 5.9"	H: 700 mm / 27.5"
Peso: 4 kg / 8.8 lbs	Peso: 15.5 kg / 34.1 lbs


IMBALLI / PACKAGING

Box 1	Box 2
L: 650 mm / 25.6"	L: 1600 mm / 63"
P: 700 mm / 27.5"	P: 1600 mm / 63"
H: 150 mm / 5.9"	H: 700 mm / 27.5"
Peso: 4 kg / 8.8 lbs	Peso: 20 kg / 44 lbs

Copyright and/or design rights subsist in this drawing. No part of this drawing may be reproduced in any material form (including photocopying or storing in any medium electronic means, whether or not intentionally and whether or not as part or a larger publication) without the express permission of the copyright owner, Contardi Lighting S.r.l.. Further and without prejudice to the above, this drawing and all information relating thereto is confidential, and shall not be communicated to a third party without the consent of Contardi lighting srl. Contardi lighting srl asserts all rights to be identified as the author of the work and otherwise.

WARNING: The doing of any unauthorised act in relation to a copyright work may result in both a civil claim for damages and criminal prosecution.

CONTARDI LIGHTING Srl

ITALY HEADQUARTERS

www.contardi-italia.com / sales@contardi-italia.it

CONTARDI USA Inc

USA BRANCH

www.contardi-usa.com / sales@contardi-usa.com

