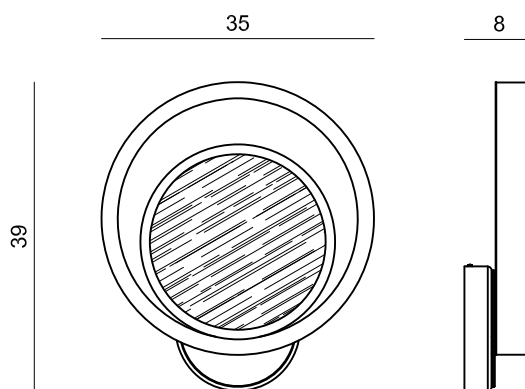



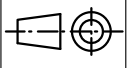
MOON applique

Width: 35
Height: 39
Depth: 8
Structure: 3,5kg / 7,7 lb
Structure: Round metal wall plate in Antique gold finish with bronzed bevelled mirror. Metal circular element in Antique gold finish with decorated resin diffuser. Integrated LED lighting.
Notes: Power supply: 80-260Vac
 Power consumption: 20W
 2700K - 1600 lm - **CE**



Technical drawing



| | | | | | | |
|--|---|------------|-------------------------------------|---|---|------------------|
|  | Email: info@oasisgroup.it | | . | . | . | |
| | Fax: 0434/654850 | | . | . | . | |
| | Telephone number: 0434/654752 | | . | . | . | |
| | | | . | . | . | |
| Model MOON |  | Size A4 | Description Applique lamp | | Item ref 5HLMOA001 | |
| Draftsman | Check | Date | Scale | | Drawing ref | |
| | | | | | Date of final approval December 2017 | TECHNICAL OFFICE |