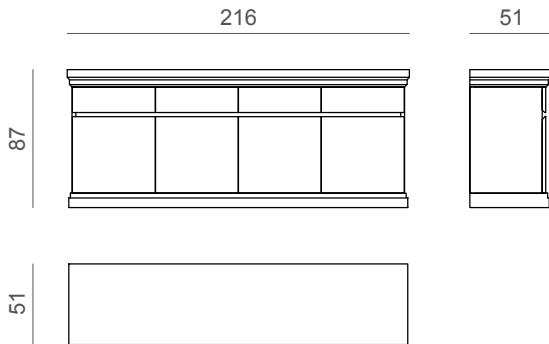


MORITZ buffet

- Width:** L216
- Height:** H87
- Depth:** P51
- Weight:** 150kg - 331lb
- Structure:** Wooden structure available in wooden finish or matt/glossy lacquer
- Notes:** Buffet with drawers and doors with soft close system; metal details are available in chrome, bronze or gold finish



Technical drawing



	Email: info@oasisgroup.it		.	.	.		
	Fax: 0434/654850		.	.	.		
	Telephone number: 0434/654752		.	.	.		
			.	.	.		
Model HOME			Size A4	Description MORITZ buffet		Item ref 5HMBF216_ _ _ _	
Draftsman	Check	Date	Scale			Drawing ref	
Martin S.	Santin S.	12/05/16	.			Date of final approval	TECHNICAL OFFICE