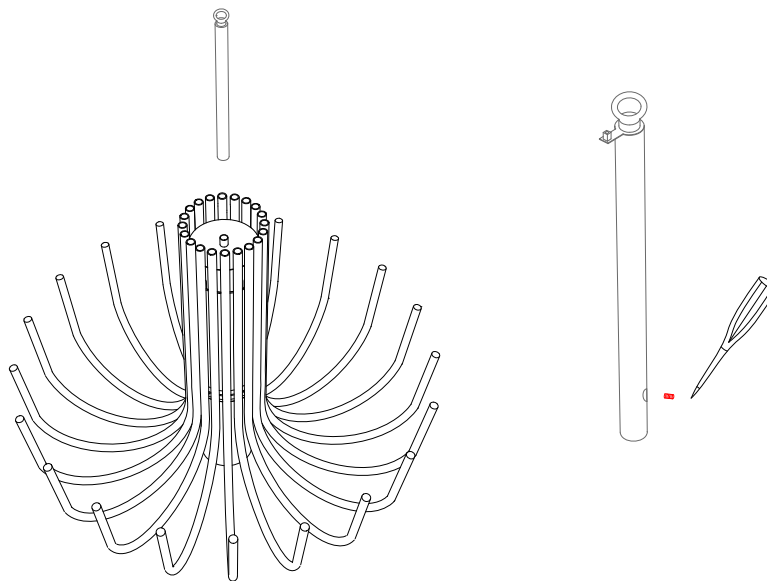


ALL OPERATIONS MUST BE CARRIED OUT BY QUALIFIED PERSON

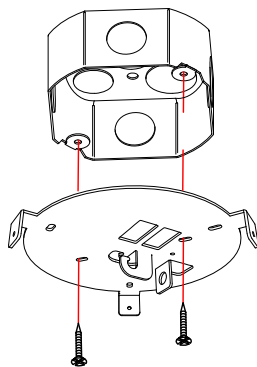
- ① Before installing the lamp to the ceiling, screw in the lamp pipe to the thread and tighten to assemble the parts. Fix the lamp pipe using the screw provided.

Prima di procedere con l'installazione a soffitto della lampada, serrare con decisione il tubo sul raccordo filettato per l'accoppiamento delle parti.  
Fissare il tubo stringendo il grano in dotazione.

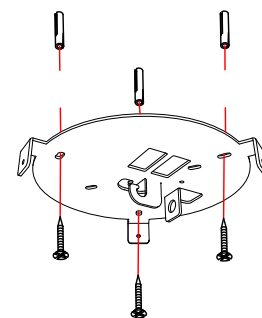


- ② Fix the bracket on the ceiling (use appropriate anchors depending on the type of ceiling)

Fissare la staffa a soffitto (utilizzare tasselli appropriati in base al tipo di soffitto).



USA

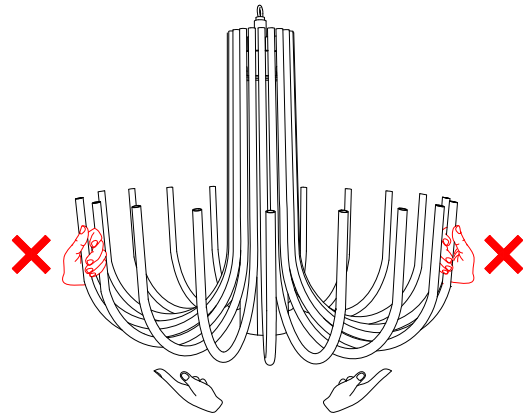


CE

ALL OPERATIONS MUST BE CARRIED OUT BY QUALIFIED PERSON

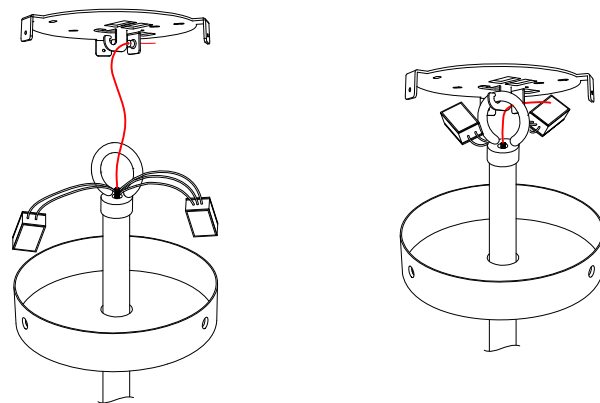
- ③ Lift up the lamp carefully. It is necessary another support to keep the lamp as shown.  
Do not take absolutely the lamp from its arms.

-----  
Sollevare con attenzione la lampada.  
Accertarsi di avere un secondo sostegno che assicuri la lampada mantenendola dal sotto e mai dai lati.



- ④ Hook the lamp to the bracket as shown in the sequence.  
Attention: fix the safety cable to the bracket by inserting it into the clamp. Check that the cable is not loose but is tighten.

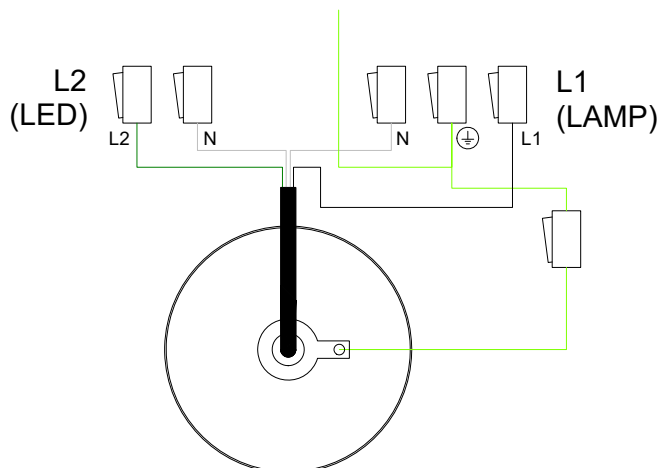
-----  
Agganciare la lampada alla staffa come mostrato nella sequenza.  
Attenzione: assicurare al gancio della staffa il cavo di sicurezza.  
Controllare che il cavo sia in tensione.



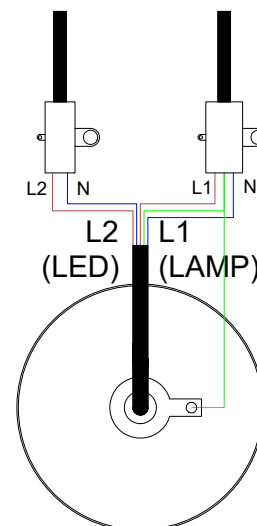
- ⑤ Connect the wires cables following the sketch.

-----  
Connettere i cavi della corrente seguendo lo schema.

## USA



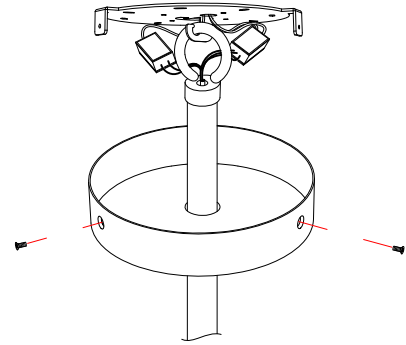
## CE



ALL OPERATIONS MUST BE CARRIED OUT BY QUALIFIED PERSON

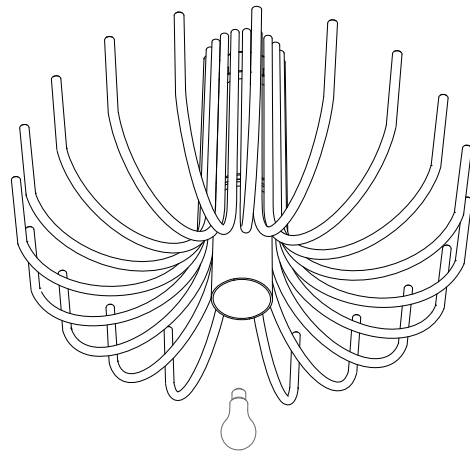
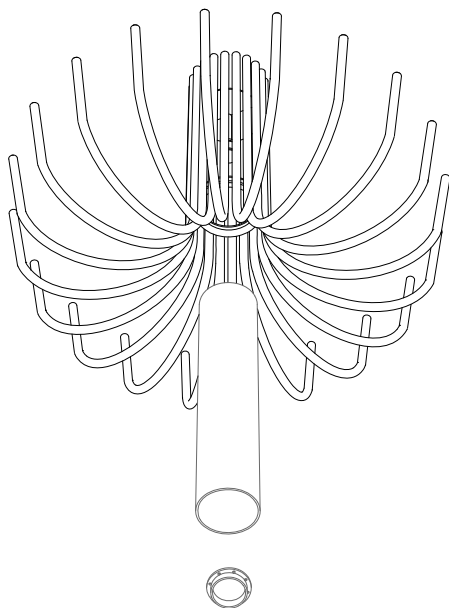
- ⑥ Fix the canopy to the bracket using the screws provided.

-----  
Fissare il rosone alla staffa utilizzando le viti fornite.



- ⑦ Fix the pirex diffuser screwing the metal ring on the lamp socket. Insert the light bulb into the pirex diffuser and screw it on the lamp socket. Repeat the same procedure to change the light bulb. To clean the pirex diffuser use only feather dusters. Attention: do not separate the pirex diffuser from the lamp in order to clean it.

-----  
Fissare il vetro diffusore avvitando la ghiera metallica sul portalamпада. Inserire la fonte luminosa all'interno del diffusore in pirex e avvitarla sul portalamпада. Ripetere la stessa operazione in caso di sostituzione della fonte luminosa. Per pulire il diffusore usare uno spolverino. Attenzione: non separare il pirex dalla lampada per pulirlo.





## 35W Single Output Switching Power Supply

# APC-35 series



### Features :

- Constant current mode power supply
- Universal AC input / Full range
- Withstand 300VAC Surge input for 5 seconds
- Protections: Short circuit / Over voltage
- Fully isolated plastic case
- Small and compact size
- Cooling by free air convection
- IP42 design
- 100% full load burn-in test
- Suitable for LED related fixture or appliance (such as LED Decoration or Advertisement devices)
- Low cost / High reliability
- 2 years warranty

IS 15885 (Part 2/Sec13) IP42 LPS (except for APC-35-350, APC-35-500) R-41027766 (only for APC-35-700) C US (only for APC-35-1050) EAC CE

### SPECIFICATION

MODEL	APC-35-350	APC-35-500	APC-35-700	APC-35-1050	
OUTPUT	RATED CURRENT	350mA	500mA	700mA	1050mA
	DC VOLTAGE RANGE	28~100V	25~70V	15~50V	11~33V
	RATED POWER	35W	35W	35W	34.7W
	RIPPLE & NOISE (max.) Note.2	350mVp-p	350mVp-p	350mVp-p	350mVp-p
	VOLTAGE TOLERANCE Note.3	±5.0%			
	CURRENT ACCURACY	±8.0%			
	LINE REGULATION	±1.0%			
	LOAD REGULATION	±3.0%			
INPUT	SETUP, RISE TIME	1500ms, 40ms / 230VAC	1500ms, 40ms / 115VAC at full load		
	HOLD UP TIME (Typ.)	20ms/230VAC	12ms/115VAC at full load		
	VOLTAGE RANGE Note.4	90 ~ 264VAC	127 ~ 370VDC		
	FREQUENCY RANGE	47 ~ 63Hz			
	EFFICIENCY(Typ.)	84%	84%	84%	84%
	AC CURRENT	0.5A/230VAC:0.75A/115VAC			
PROTECTION	INRUSH CURRENT(Typ.)	COLD START 45A(twidth=490µs measured at 50% Ipeak) at 230VAC			
	MAX. No. of PSUs on 16A CIRCUIT BREAKER	5 units (circuit breaker of type B) / 9 units (circuit breaker of type C) at 230VAC			
	LEAKAGE CURRENT	0.25mA / 240VAC			
ENVIRONMENT	OVER VOLTAGE	110 ~ 130V	77 ~ 91V	55 ~ 65V	36 ~ 43V
	WORKING TEMP.	-30 ~ 70°C (Refer to "Derating Curve")			
	WORKING HUMIDITY	20 ~ 90% RH non-condensing			
	STORAGE TEMP., HUMIDITY	-40 ~ +80°C, 10 ~ 95% RH			
	TEMP. COEFFICIENT	±0.2%/°C (0 ~ 50°C)			
SAFETY & EMC (Note 5)	VIBRATION	10 ~ 500Hz, 2G 10min./1cycle, period for 60min. each along X, Y, Z axes			
	SAFETY STANDARDS	UL8750 (only for APC-35-700&1050), CSA-C22.2 No. 250.0-13 (only for APC-35-1050), BIS IS15885, EAC TP TC 004, IP42 approved; design refer to EN 62368-1			
	WITHSTAND VOLTAGE	I/P-O/P:3KVAC			
	ISOLATION RESISTANCE	I/P-O/P:>100M Ohms / 500VDC / 25°C / 70% RH			
	EMC EMISSION	Compliance to EN55032, EN61000-3-2 Class A, EN61000-3-3, EAC TP TC 020			
OTHERS	EMC IMMUNITY	Compliance to EN55024, EN61000-4-2, 3, 4, 5, 6, 8, 11; light industry level (surge 2KV), criteria A, EAC TP TC 020			
	MTBF	518,9K hrs min. MIL-HDBK-217F (25°C)			
	DIMENSION	84*57*29.5(L*W*H)			
PACKING	0.18Kg; 72pcs/14Kg/0.92CUFT				

**NOTE**

1. All parameters NOT specially mentioned are measured at 230VAC input, rated load and 25°C of ambient temperature.
2. Ripple & noise are measured at 20MHz of bandwidth by using a 12" twisted pair-wire terminated with a 0.1µf & 47µf parallel capacitor.
3. Tolerance : includes set up tolerance, line regulation and load regulation.
4. Derating may be needed under low input voltage. Please check the static characteristic for more details.
5. The power supply is considered as a component that will be operated in combination with final equipment. Since EMC performance will be affected by the complete installation, the final equipment manufacturers must re-qualify EMC Directive on the complete installation again.
6. The ambient temperature derating of 3.5°C/1000m with fanless models and of 5°C/1000m with fan models for operating altitude higher than 2000m(6500ft).
7. For any application note and IP water proof function installation caution, please refer our user manual before using.  
[https://www.meanwell.com/Upload/PDF/LED\\_EN.pdf](https://www.meanwell.com/Upload/PDF/LED_EN.pdf)
8. This product is not intended for LED applications in the EU. (In the EU NPF/LPF/XLG series are recommended.)
9. To fulfill requirements of latest ErP regulation for lighting luminaires, this LED Driver can only be used behind a switch without permanently connected to mains.